

BD4-1G

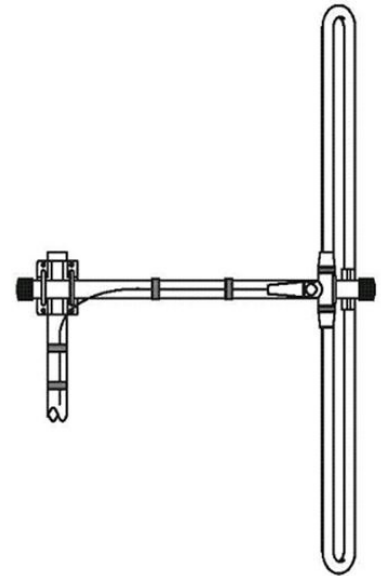
VHF 0 dBd Dipole Antenna - 80 MHz Band

Center Fed VHF Dipole Antenna for PMR radios and other applications.

- High quality VHF antenna for professional use
- Omni-directional radiation pattern
- No groundplane needed
- Mount included

ELECTRICAL SPECIFICATIONS

Antenna Type	Center Fed Dipole
Frequency	66 - 77 MHz, 77 - 88 MHz (L/H)
Bandwidth	11 MHz
Impedance	50 Ohm
VSWR	<1.5:1
Polarisation	Linear (Vertical or Horizontal)
Gain	0 dBd, 2.15 dBi
Radiation Pattern	Omnidirectional (Horizontal)
Half Power Beamwidth	E-Plane : 80° H-Plane: 360°
Max. Input Power	150 W
Antistatic Protection	Direct Ground



Datasheet

2 / 2

MECHANICAL SPECIFICATIONS

Color	Silvery white
Dimesions	Length: 1900 mm , 1750 mm (L/H) Width: 1500 mm
Weight	3500 g
Mount Type	Fixed Tube Mounting Bracket (included)
Mounting Place	On Tube (Ø 27 - 60 mm, vertical or horizontal)
Materials	Corrosion-resistant Aluminum (6063-T5), Polypropylene, Copper and PE
Survival Wind Speed	42 m/s
Operating Temperature	-50 °C to +85 °C
Connector	N-female
Pigtail	Approx. 2.5 m RG213/U
Serial No.	On product label

ORDERING INFORMATION

28000-003L	In box (66-77 MHz)
28000-003H	In box (77-88 MHz)

PACKAGING INFORMATION

Type	See "Part No."
------	----------------