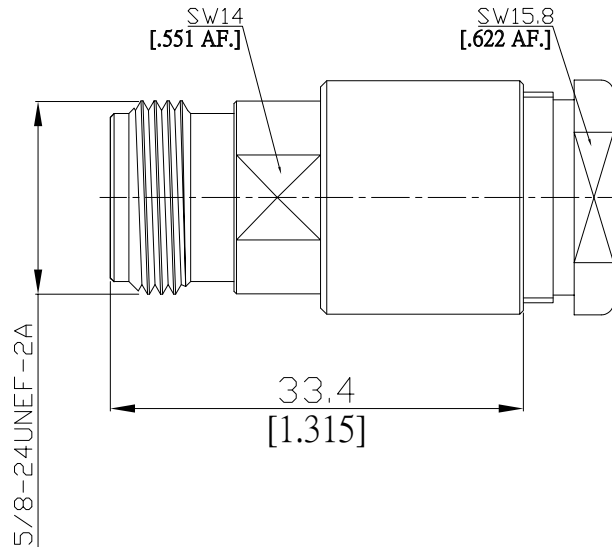


N(Female) Straight Cable Jack

N2D50-R400A/H4



All dimensions are in mm [inch]

Tolerances according to DIN ISO 2768-mH

Interface

According to IEC 61169-16; MIL-STD-348A/304

Electrical Data

Impedance 50 Ω
 Frequency DC to 6 GHz
 VSWR (Return Loss) ≤1.30 (≥ 17.69 dB)

- Limitations are possible due to the used cable type and manufacturing process -

Mechanical Data

Coupling mechanisms Screw-lock
 Centre contact Soldered
 Cable entry Clamped

Environmental Data

Temperature range -65°C to +165°C
 RoHS compliant

Material And Plating

| Connector parts | Material | Plating |
|-----------------|-----------------|------------------------------------|
| Centre contact | Phosphor Bronze | Gold plating (Nickel underplating) |
| Body | Brass | Copper-Tin-Zinc Alloy |
| Insulator | PTFE | |
| Gasket | Silicone Rubber | |
| Clamp nut | Brass | Copper-Tin-Zinc Alloy |

Suitable Cables

LMR 400, RNL-400, RG-213, RG-214

Packing

Single or 100