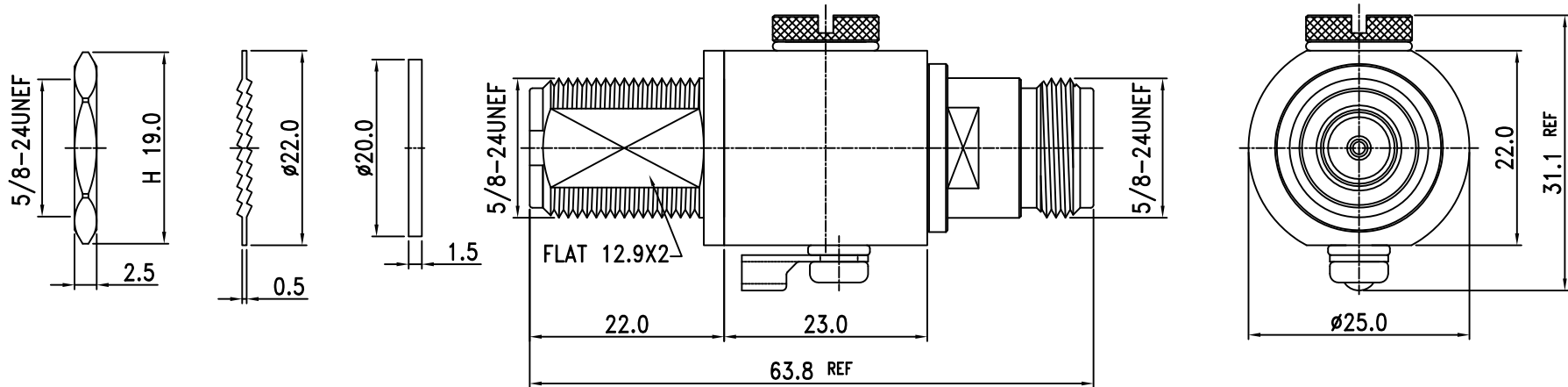
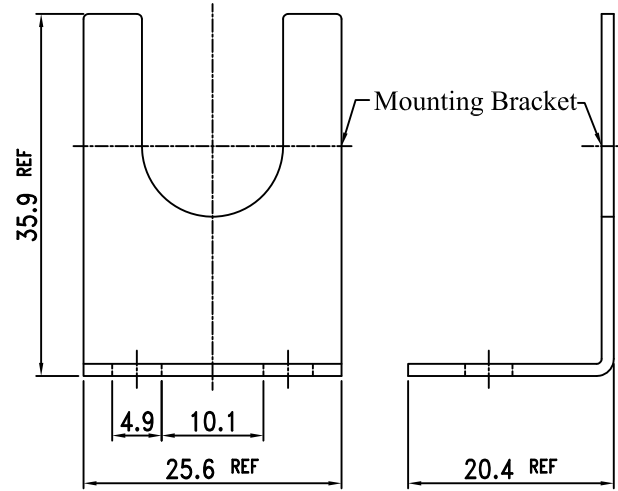


Lightning Surge Arrester 6GHz
 Frequency 0-6GHz
 VSWR 1:1.5 Max
 Insertion Loss 0.5dBi Max
 Impedence 50 Ohm
 Gas Tube DC 90V±20%
 Breakdown Voltage
 Gas Tube Impulse $\leq 700V$
 Breakdown Voltage
 Gas Tube Insulation ≥ 10000 M Ohm
 Resistance
 Max Withstand Current 5 K A
 RF Power Rating 50 W



ROHS
COMPLIANT

9.	Mounting Bracket	Iron	1	Nickel
8.	Nut	Brass	1	Nickel
7.	Washer	Brass	1	Nickel
6.	Gasket	Silicone	1	Red
5.	Insulation	PTFE	2	White
4.	Pin	Brass	1	Gold
3.	Body	Brass	1	Nickel
2.	Body	Brass	1	Nickel
1.	Body	Brass	1	Nickel
NO.	DESCRIPTION	MATERIAL	Q' TY	FINISH

DRAWN	SCALE	UNITS	PROFILANT	
Kelly	1.5:1	mm		
CHECKED	TOLERANCE		TITLE	PT-LP-N-90-6 GHz
<i>Peter</i>	.X	±0.2	REV.	CAD FILE
APPROVAL	.XX	±0.1	A	DATE
<i>Peter</i>	.XXX	±0.05		
	ANGLE	±0.5°		2021.09.01