

2J7401BGF

GPS/GLONASS Screw Mount

Key Features

GPS/GLONASS/QZSS/Galileo
- 1575-1606 MHz
Screw Mount
Pre-Filter
Ground Plane Independent
Customizable Cable and Connector
Dimensions $\varnothing 60 \times 15.3$ mm
Certificates: IP67



1. Antenna and electrical specifications

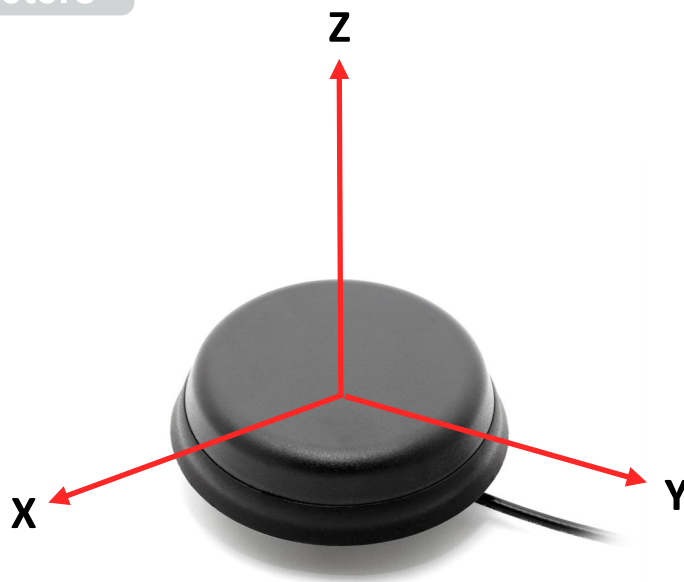
Passive Parameters	GPS/GLONASS Antenna	
	GPS/QZSS/Galileo	GLONASS
Standards	GPS/QZSS/Galileo	GLONASS
Bands (MHz)	1575	1602
Frequency (MHz)	1575.42	1598-1606
Return Loss (dB)	~21.8dB	<=-15.7dB
VSWR	<=1.1:1dB	<=1.4:1dB
Efficiency (%)	~65	~68
Peak Gain (dBiC)	~3.6	~3.9
Average Gain (dB)	~1.8	~1.6
Impedance (Ohm)	50	
Radiation Pattern	Hemispherical	

Active Parameters	GPS/GLONASS Antenna	
	GPS/QZSS/Galileo	GLONASS
Standards	GPS/QZSS/Galileo	GLONASS
Bands (MHz)	1575	1602
Frequency (MHz)	1575.42	1598-1606
Impedance (Ohm)	50	
VSWR	<1.2:1	
Radiation Pattern	Hemispherical	
Polarization	RHCP	
SAW Filter	Pre-Filter	
Active Gain (dB)	26 @ 3V, 28 @ 5V	
Voltage (V)	2.7 - 5.5	
Current (mA)	15 - 25	
Power Consumption (mW)	138 Max	
Connector Type	SMA-Male	
Cable Length (m)	20cm Standard	
Cable Type	LMR100 Standard	

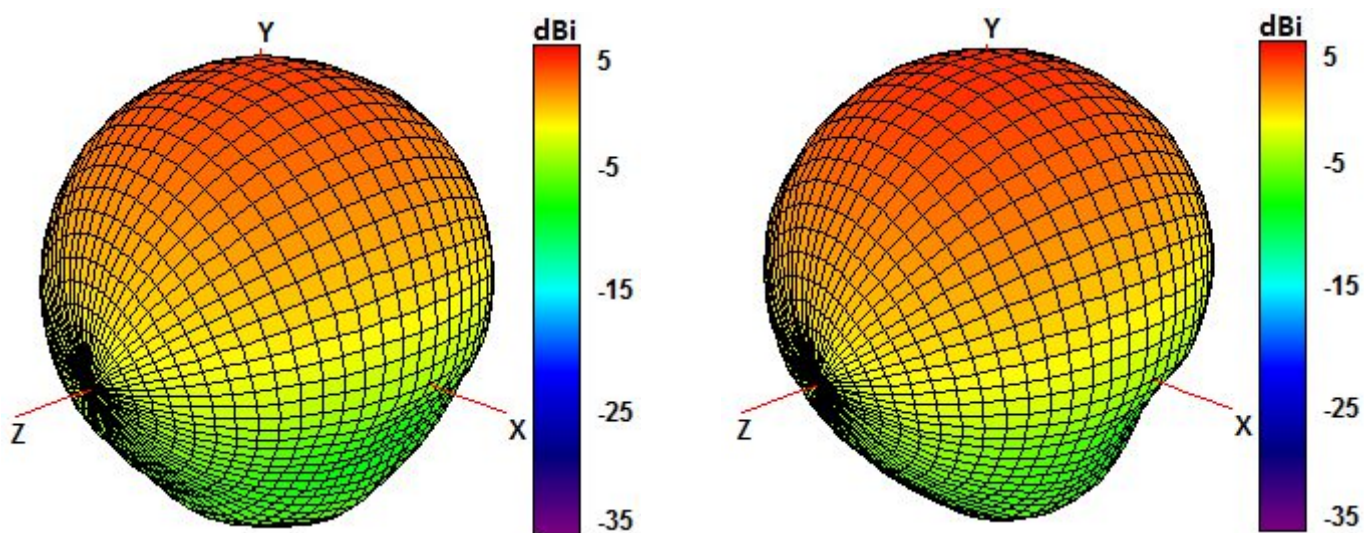
2. Mechanical and environmental specifications

Specifications	2J7401BGF
Mounting Type	Screw Mount
Dimensions (mm)	Ø 60 × 15.3
Random Type	ABS
Random Color	Black
Antenna Base	Zamak
Operating Temperature (C)	-40 to +85
Storage Temperature (C)	-40 to +85
Certificates	IP67
Substance Compliance	RoHS

3. Antenna parameters

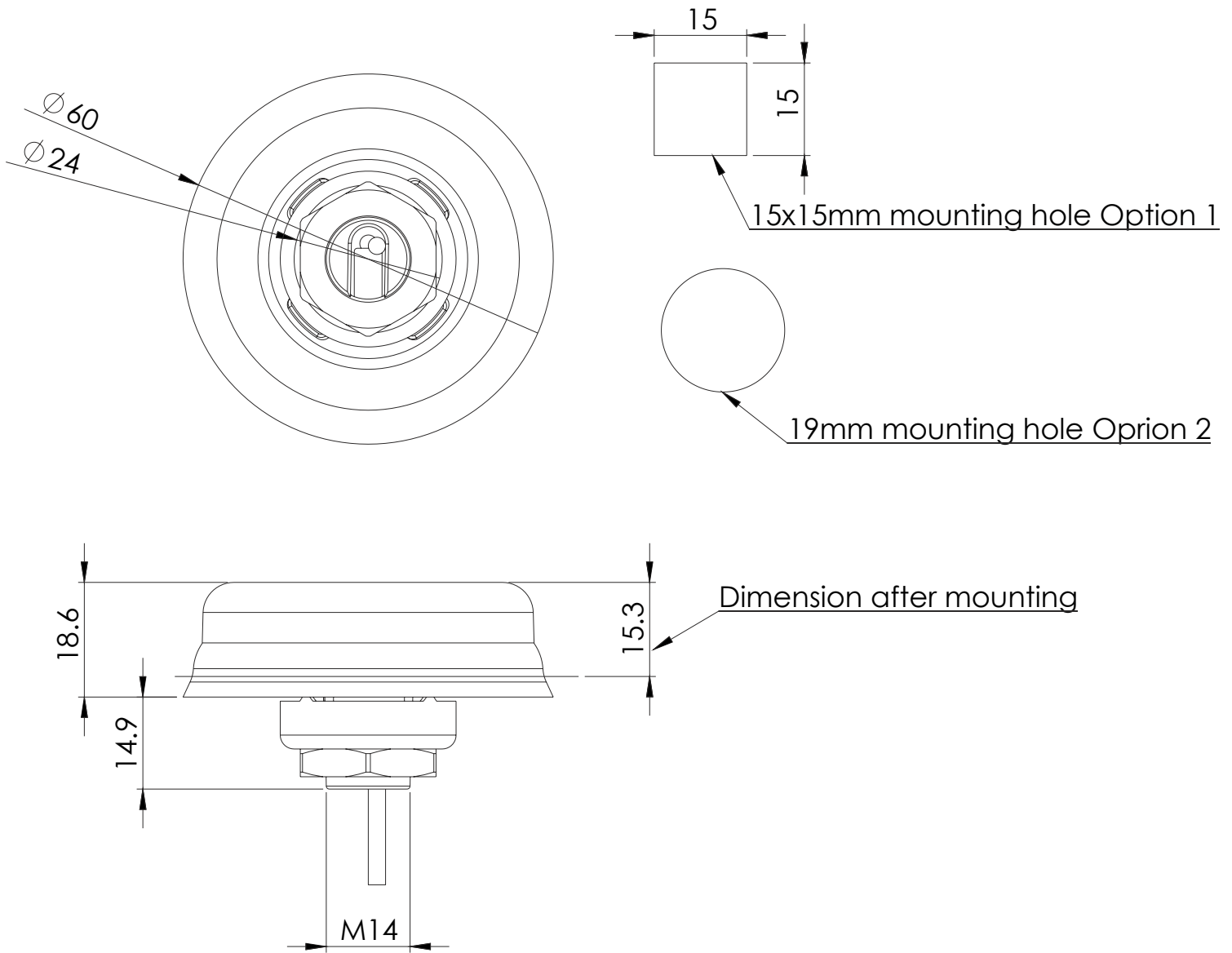


Radiation pattern reference



1575 MHz and 1602 MHz Radiation pattern

4. Antenna drawings



5. Antenna Images

