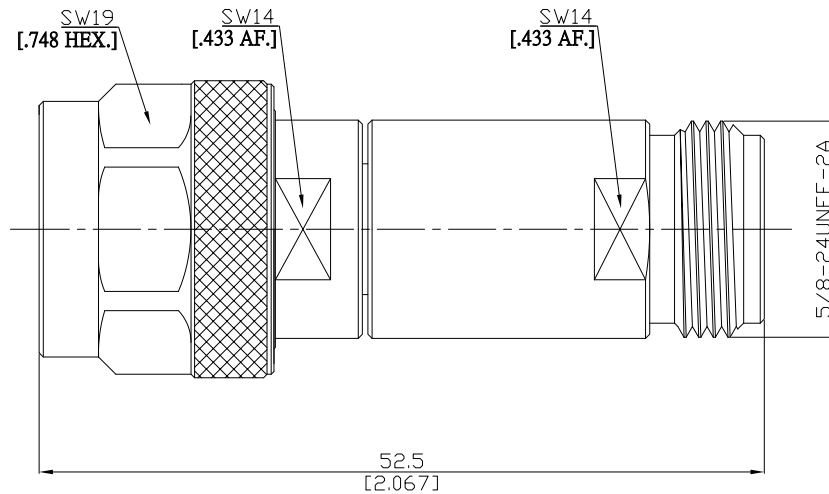


DC Block plug/jack
N plug (male) / N jack (female)

DB-N1N25-3G100VA/H44-H4



All dimensions are in mm [inch]
Tolerances according to DIN ISO 2768-mH

Interface

According to IEC 61169-16; CECC 22210; MIL-STD-348A/304

Electrical Data

Impedance	50 Ω	
Interface frequency max.	DC to 3 GHz	
Frequency range	DC to 1 GHz	1 to 3 GHz
VSWR (Return loss)	≤ 1.12 (≥ 24.94 dB)	≤ 1.20 (≥ 20.83 dB)
Insertion Loss	≤ 0.1 dB	≤ 0.2 dB
Voltage rating (Volts)	DC 100 V	

Mechanical Data

Coupling mechanisms	Screw-lock
Weight	N/A

Environmental Data

Temperature range	-55°C to +90°C
RoHS	compliant

Material And Plating

Piece Parts (N)	Material	Plating
Centre contact	Brass	Gold plating(Nickel underplated)
Body	Brass	Copper-Tin-Zinc Alloy
Insulator	PTFE	
Gasket	Silicone Rubber	
Coupling nut	Brass	Copper-Tin-Zinc Alloy
Piece Parts (N)	Material	Plating
Centre contact	Beryllium Copper	Gold plating(Nickel underplated)
Body	Brass	Copper-Tin-Zinc Alloy
Insulator	PTFE	

Packing

Single or 100