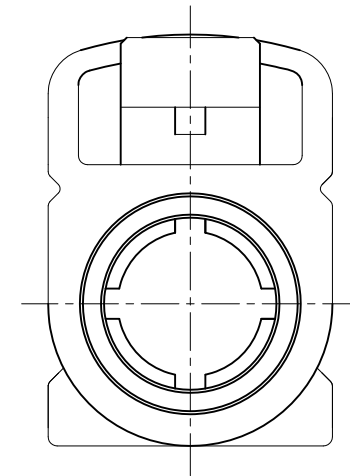
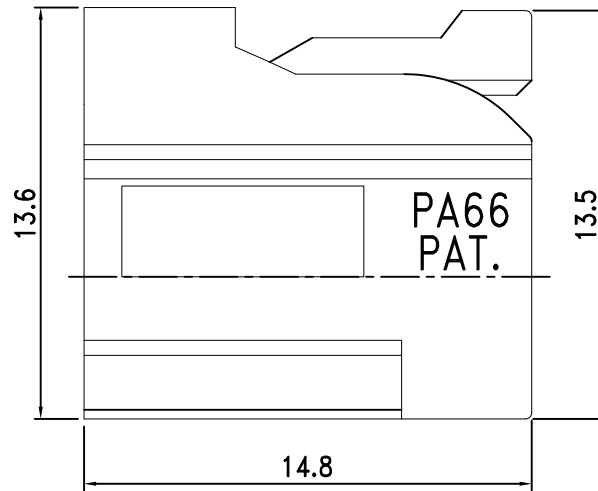
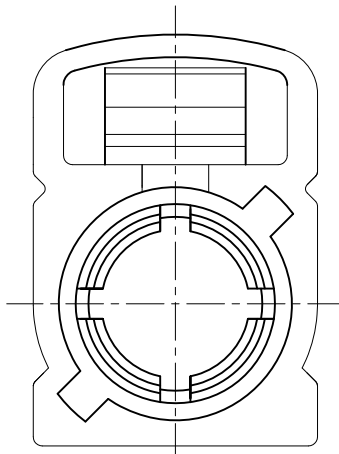


03.03.302 - FAKRA-C-female Housing



ROHS  
COMPLIANT

NO.	DESCRIPTION	MATERIAL	Q' TY	FINISH
1.	Housing	PA66	1	Blue

DRAWN	SCALE	UNITS		
Jack	4:1	mm		
CHECKED	TOLERANCE		TITLE	
	.X	±0.2	REV.	CAD FILE
	.XX	±0.1		DATE
APPROVAL	.XXX	±0.05	A	104.08.24
	ANGLE	±0.5°		