

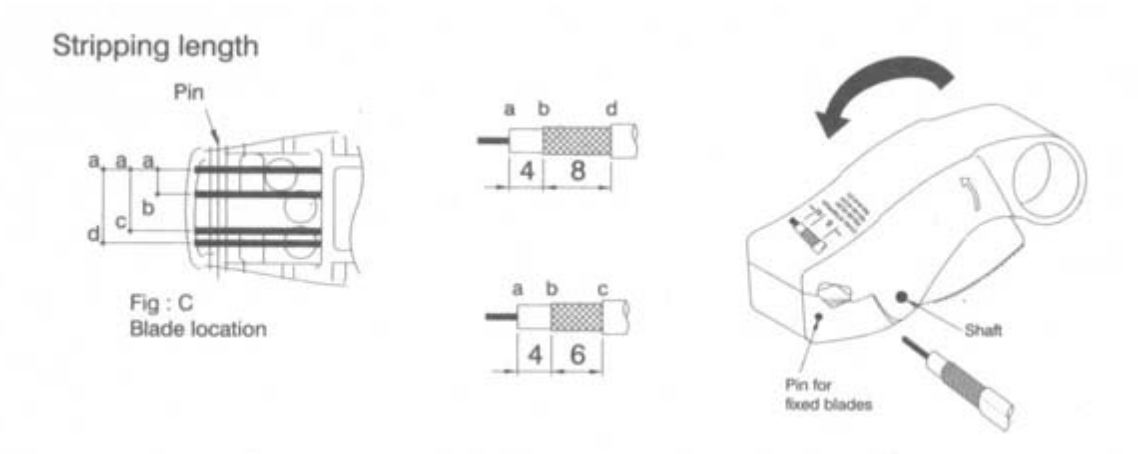
Stripping tool for FF400

Hanlong HT-322-S3



SPECIFICATIONS

Model	HT-322-S3
Manufacturer	Hanlong Industrial Co. Ltd
Cable diameter	10 mm
Cabletyp	RG213/214, FF400
Colour	Grey / Yellow



Instructions

Stripping Length: This stripper can strip cable in two lengths 10 and 12 mm. HT-322S3 stripping length is pre-set to 12 mm (3 blades model). If you want to strip other lengths, you adjust the blades position.

Blades Depth: You may use the hex wrench, which is installed, on the bottom of the tool to adjust the blades depth. Insert the hex wrench into the blade depth adjuster on the bottom of the stripper, then rotate the hex wrench clockwise (to cut small cable) or counter-clockwise (to cut larger cable). Repeat above steps to set the other blade.

Stripping Cable:

1. The stripper is designed for stripping cables without any adjustment of V-block.
2. Press the knurled portion on the upper jaw to open the stripper's jaws.
3. Insert the cable you want to strip through the V-block until the cable reaches the V-shaped cable guide. Then release the upper jaw to close the jaws.
4. Insert your index finger into the stripper's finger ring, turn the stripper clockwise 3-5 times. The cable's insulation is cut while you turn the stripper.
5. Open the jaws and remove the cable. Pull away the outer jacket and die-electric to expose the inner conductor.