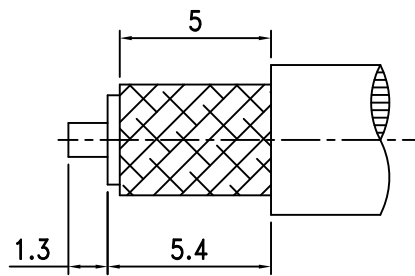
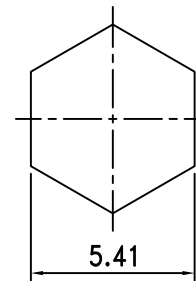


Electrical Characteristics	
Impedance	50 Ω
Frequency Range	0-4 GHz
V.S.W.R.	≤ 1.3 (straight)
Dielectric Withstanding Voltage	≥ 800 VRMS at sea level

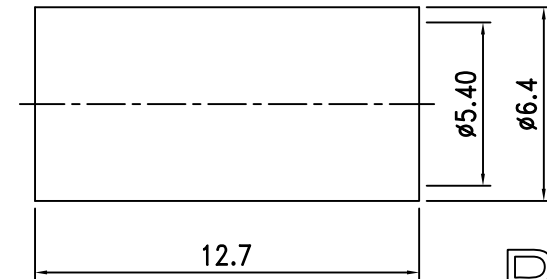
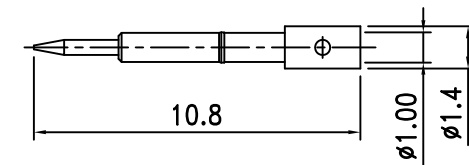
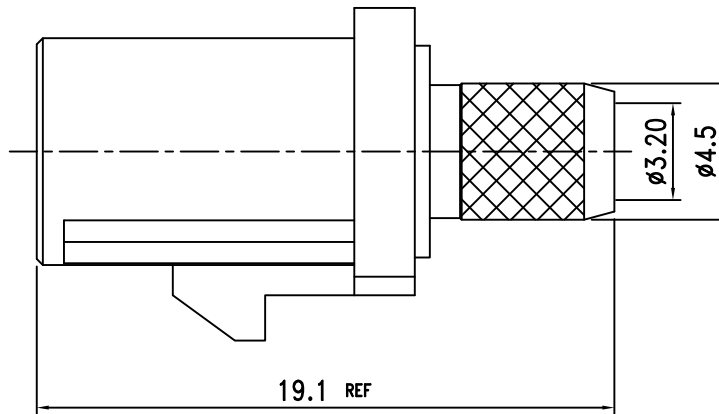
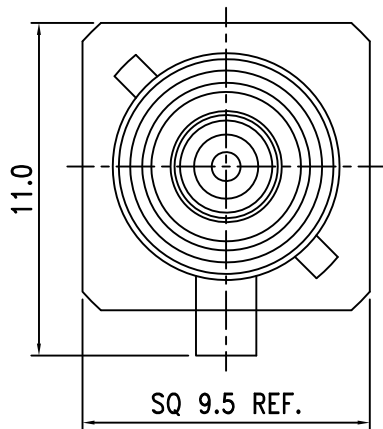
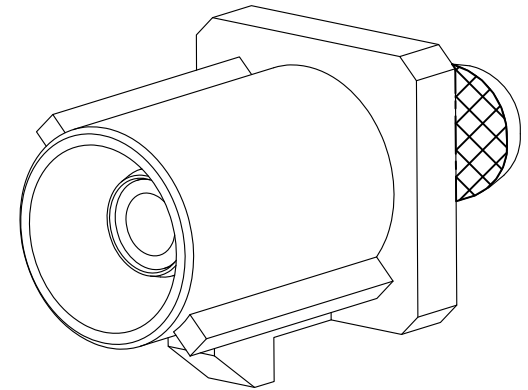
Mechanical Characteristics	
Plastic housing retention force	≥ 90 N
Cable retention force	≥ 100 N
Temperature range	-40°C / +105°C



RECOMMENDED
CABLE STRIPPING DIM'S



RECOMMENDED
CRIMPING TOOL SIZE



ROHS
COMPLIANT

NO.	DESCRIPTION	MATERIAL	Q' TY	FINISH
5.	Ferrule	Brass	1	Nickel
4.	Housing	PA66	1	Blue
3.	Insulation	PTFE	1	White
2.	Pin	Brass	1	Gold
1.	Body	Brass	1	Nickel

DRAWN	SCALE	UNITS		
Jenny	4:1	mm		
CHECKED	TOLERANCE		TITLE	For Cable RG-58U
<i>Peter</i>	.X	± 0.2		
APPROVAL	.XX	± 0.1	D	DATE
<i>Peter</i>	.XXX	± 0.05		2017.02.18
	ANGLE	$\pm 0.5^\circ$		