

**ELECTRICAL SPECIFICATIONS:**

- 1.) FREQUENCY RANGE: 700 - 2700 MHz
- 2.) IMPEDANCE: 50 OHMS
- 3.) INSERTION LOSS (MAX): 0.4 dB (ABOVE 3.01 dB SPLIT)
- 4.) AMPLITUDE BALANCE (MAX): 0.2 dB
- 5.) PHASE BALANCE (MAX): 2 DEGREES
- 6.) ISOLATION (MIN): 22 dB
- 7.) INPUT VSWR (MAX): 1.20 : 1
- 8.) OUTPUT VSWR (MAX): 1.15 : 1

**MECHANICAL SPECIFICATIONS:**

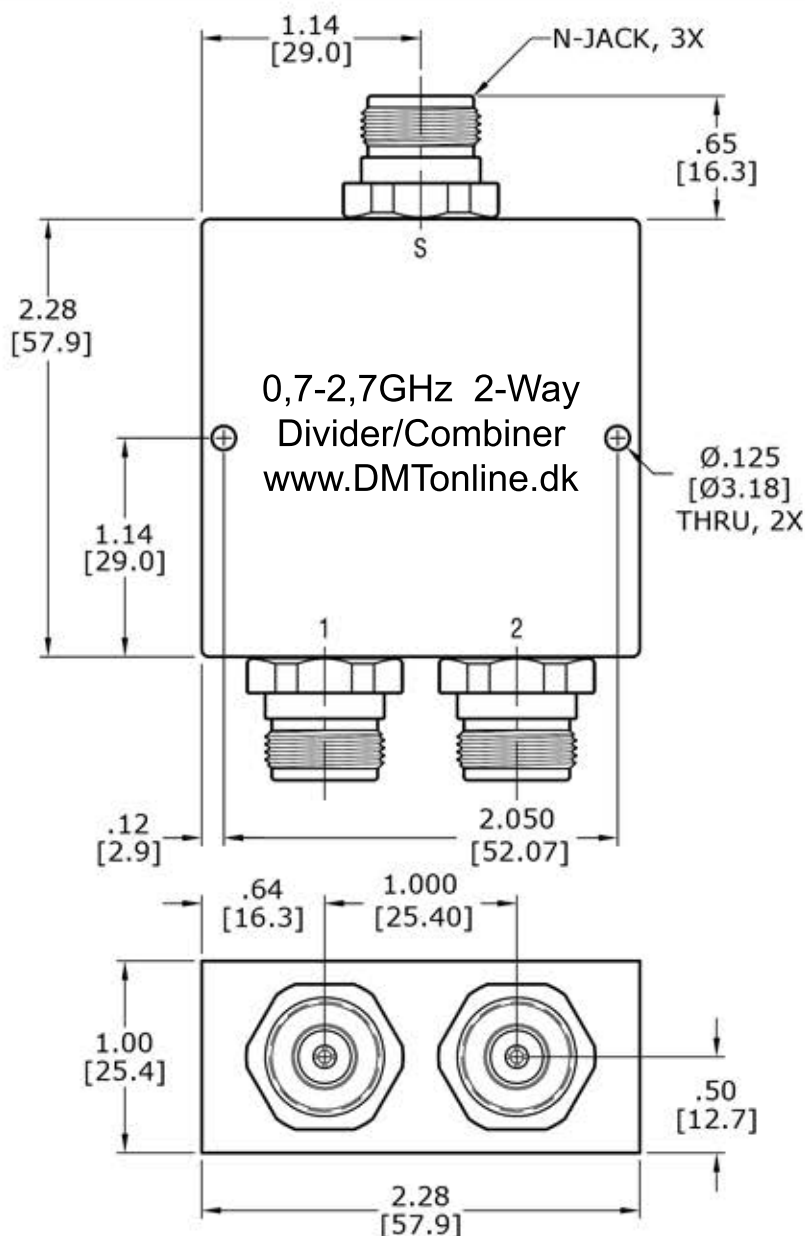
- 1.) CONNECTORS: TYPE N FEMALE (JACK), 50 OHM
- 2.) CONNECTOR BODY: BRASS, TRI-ALLOY PLATE
- 3.) CONNECTOR PIN: PHOSPHOR BRONZE, GOLD PLATE
- 4.) INSULATOR: PTFE, VIRGIN ELECTRICAL GRADE
- 5.) HOUSING: ALUMINUM, CLEAR CHEM FILM
- 6.) SOLDER: LEAD FREE, RoHS COMPLIANT
- 7.) PROTECTION RATING: IP67 WATER AND WEATHER RESISTANT
- 8.) OPERATING TEMP: -65°C TO +85°C
- 9.) WEIGHT: 258 GRAMS

**RF INPUT POWER RATING (POWER DIVIDER SPLITTER):**

| INTO MATCHED LOAD VSWR's | IN-PHASE | 180° OUT-OF-PHASE |
|--------------------------|----------|-------------------|
| 1.2 : 1                  | 40 WATTS | 40 WATTS          |
| 2.0 : 1                  | 40 WATTS | 10 WATTS          |
| ∞                        | 20 WATTS | 1 WATT            |

**RF INPUT POWER RATING (POWER COMBINER):**

|                                      |               |
|--------------------------------------|---------------|
| COHERENT SIGNALS (IN-PHASE)          | 2 X 20 WATTS  |
| COHERENT SIGNALS (180° OUT-OF-PHASE) | 2 X 0.5 WATTS |
| NON-COHERENT SIGNALS                 | 2 X 1 WATT    |
| OTHER CONDITIONS - CONSULT FACTORY   |               |



| TOLERANCES     |                |
|----------------|----------------|
| INCHES         | MILLIMETERS    |
| .00 = ±.01     | .0 = ±.25      |
| .000 = ±.004   | .00 = ±.10     |
| DRAWN: MJD     | APPROVED: EMM  |
| DATE: 07/01/08 | DATE: 07/01/08 |



|           |  |
|-----------|--|
| MODEL NO. | <b>520001</b>  |
| TITLE     | 2 WAY POWER DIVIDER COMBINER,<br>N TYPE JACK, 0.7-2.7 GHz, 40W, 50 OHM,<br>IN-PHASE, RoHS, IP67 WEATHERPROOF |

| REV | DESCRIPTION | BY | DATE |
|-----|-------------|----|------|
|     |             |    |      |