

2J8511B

2J8511BG

(DATASHEET)

Type
Frequencies

Combined Antenna
FM (87,5 - 108 MHz)

AMPS (824-894 MHz)
ISM (868 MHz)
GSM (900 MHz)
DCS (1800 MHz)
PCS (1900 MHz)
3G (UMTS 2.1 GHz)
WIFI / BLUETOOTH (2.4 GHz)
LTE (2.6 GHz)

Mounting
Revision

GPS (1575.42 MHz) or
GPS/GLONASS (1572 - 1610 MHz)
Body Mount
00



P. Tipul





1. PRODUCT SELECTOR

2J8511B	GPS L1 version
2J8511BG	GPS/GLONASS version

2. SPECIFICATION

2.1. Electrical Specifications

FM (Cable 1)

Frequencies	FM (87,5 - 108 MHz)
Impedance	50 Ohms
Polarization	Linear
LNA Gain	5-10dB
VSWR	<2.2:1
Voltage supply	12-15V

Navigation (Cable 2)

Frequencies	GPS (1575.42 MHz) or GPS/GLONASS (1572 - 1610 MHz)
Impedance	50 Ohms
Polarization	RHCP
LNA Gain	23dB at 3V, 24dB at 5V
VSWR	<1.2:1
Voltage supply	2.7V - 5.5V
Current	15mA - 25mA
Power (max.)	138mW

Mobile (Cable 3)

Frequencies	AMPS (824-894 MHz) ISM (868 MHz) GSM (900 MHz) DCS (1800 MHz) PCS (1900 MHz) 3G (UMTS 2.1 GHz) WIFI / BLUETOOTH (2.4 GHz) LTE (2.6 GHz)
Impedance	50 Ohms
Polarization	Linear
Gain	0 dBi typ.
VSWR	<3:1
Power handling	35W

2.2. General Specifications

IP rating	IP67 (TBC)
Operating temperature	-40°C to +85°C

2.3. Connection Specifications

2.3.1. Default (recommended)

Cable 1 (FM):
 Connector type: Upon request
 Cable: RG174U
 Cable length: 250 cm

Cable 2 (Navigation):
 Connector type: SMA male
 Cable: RG174U
 Cable length: 250 cm

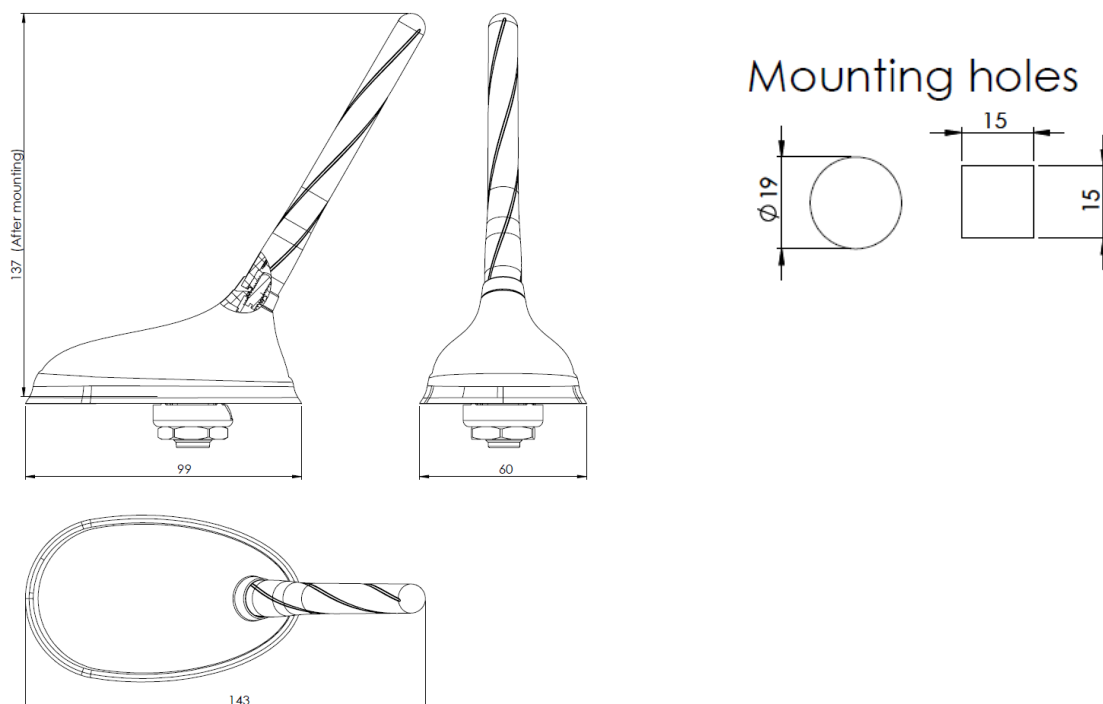
Cable 3 (Mobile):
 Connector type: FME female
 Cable: RG174U
 Cable length: 250 cm

2.3.2. Optional

Suitable cables: RG174, RG316
 Cable length: min. 30 cm
 Suitable connectors: All connectors suitable for cables above

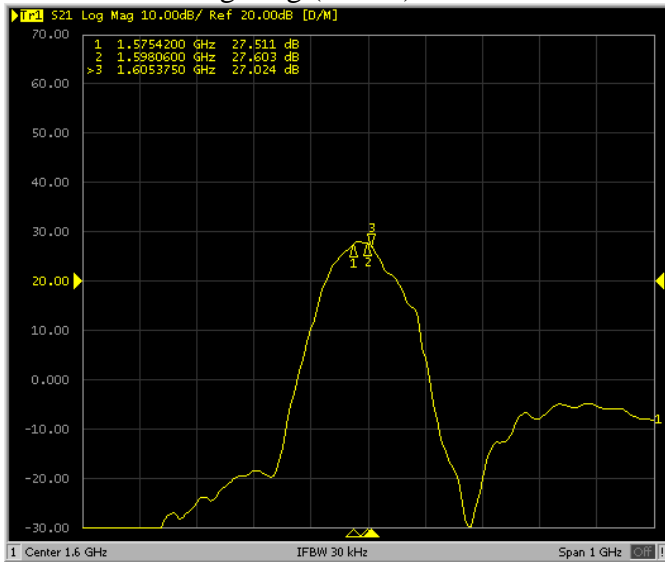
2.4. Mechanical Specifications and Dimensions

Material: Lid: ABS / Base: Zamak / Gasket: TPE / Whip: TPE
 Max. dimensions: 137mm x 143mm x 60mm (H x L x W)
 Weight: 285 g 'counted with default connection'
 Colour: Black (for different colours please ask our sales team)



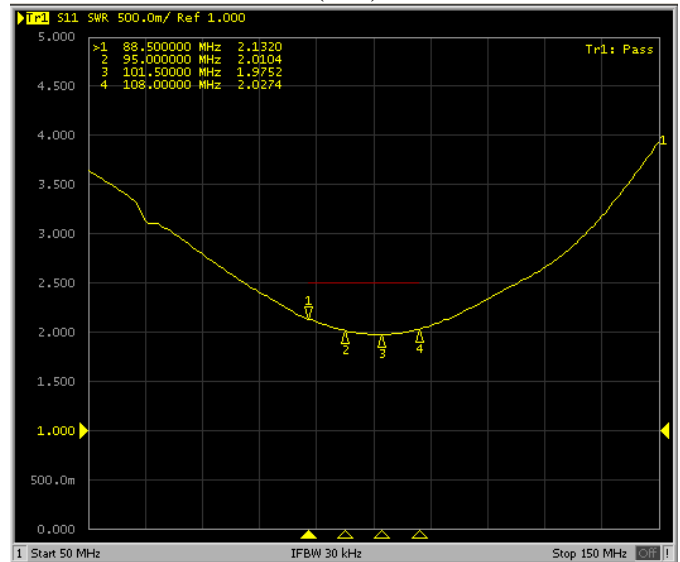
3. MEASUREMENT

Log Mag (GNSS) at 5V



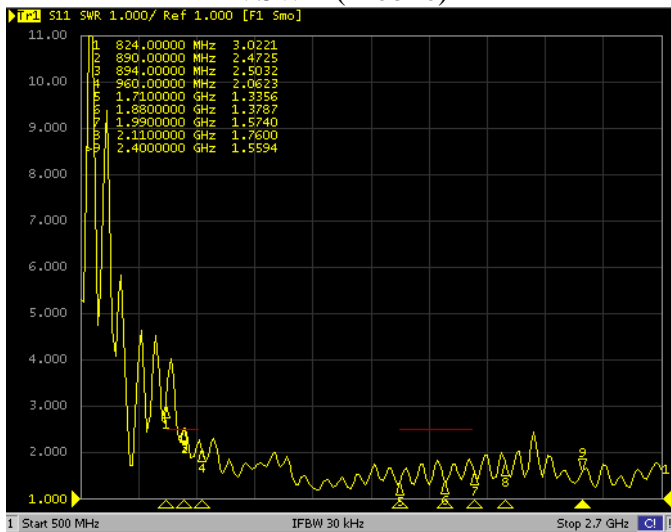
Tested with 2,5m cable length

VSWR (FM) at 12V



Tested with 2,5m cable length

VSWR (Mobile)



Tested with 2,5m cable length

4. IMAGES

