

## 2J7010B

### TETRA Screw Mount

#### Key Features

**TETRA**  
- 380-470 MHz  
Screw Mount  
High Gain  
Loaded Dipole  
Ground Plane Dependent  
Anti-Rotation Mounting  
Dimensions  $\varnothing 96 \times 130$  mm  
DC Grounded Antenna  
Certificates IP67, IP69, IK09



## 1. Antenna and electrical specifications

Parameters	TETRA Antenna
<b>Standards</b>	TETRA
<b>Band (MHz)</b>	400
<b>Frequency (MHz)</b>	380-470
<b>Return Loss (dB)</b>	~-14.7
<b>VSWR</b>	~1.5:1
<b>Efficiency (%)</b>	~73
<b>Peak Gain (dBi)</b>	~2.5
<b>Average Gain (dB)</b>	~-1.4
<b>Impedance (Ohm)</b>	50
<b>Polarisation</b>	Linear
<b>Radiation Pattern</b>	Omni-Directional
<b>Max. Input Power (W)</b>	50
<b>Connector Type</b>	N-Female Standard

### Antenna Measurement Conditions:

Free Space

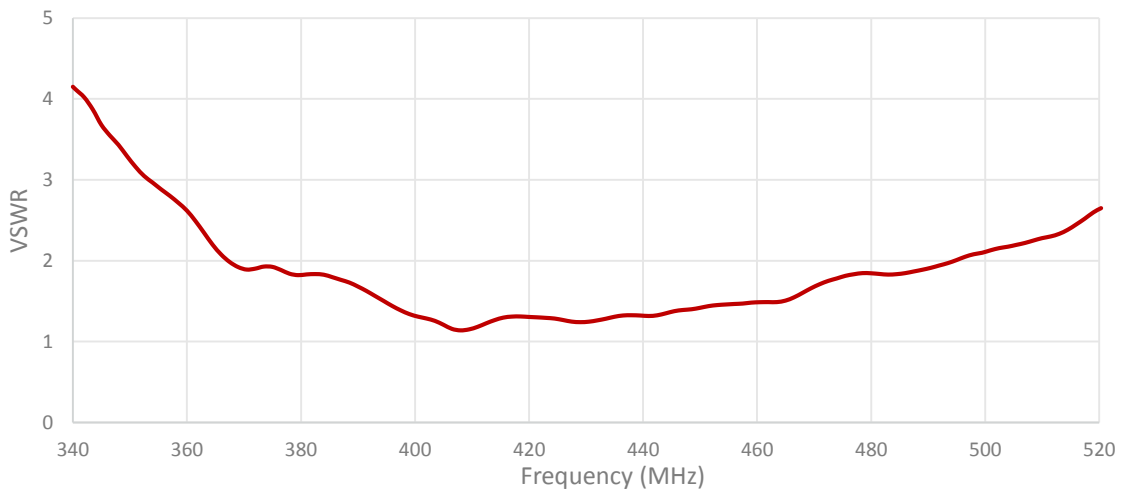
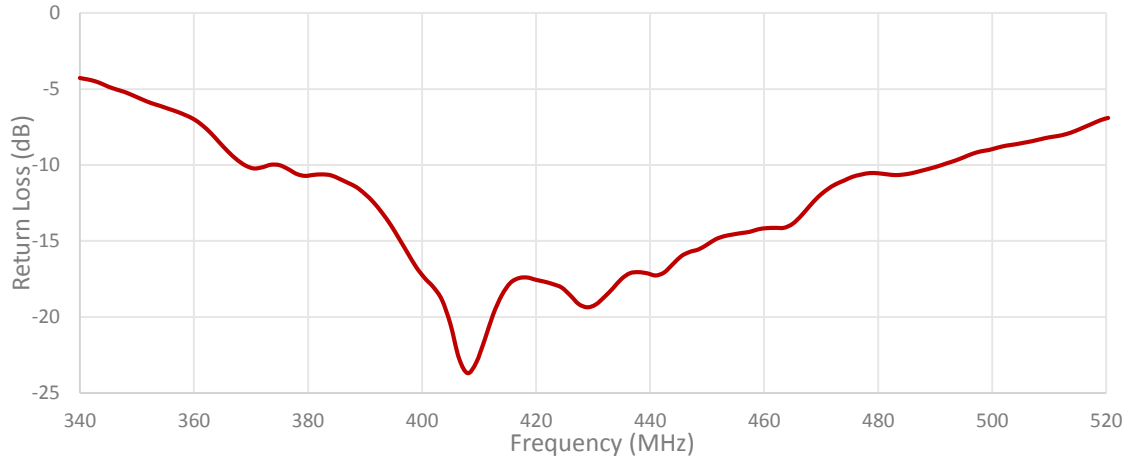
Mounted on Ground Plane of 60 x 60 cm

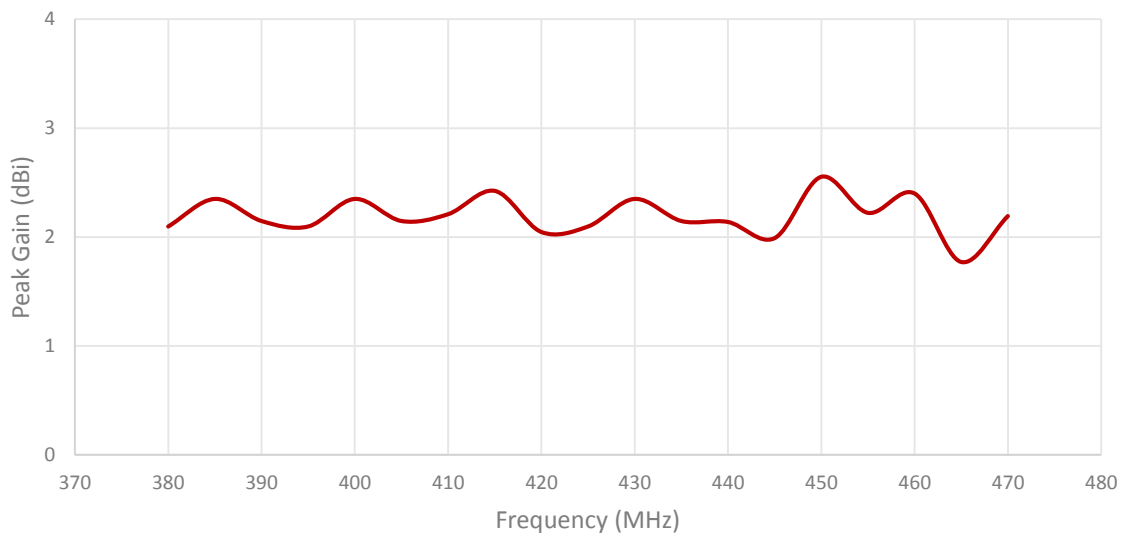
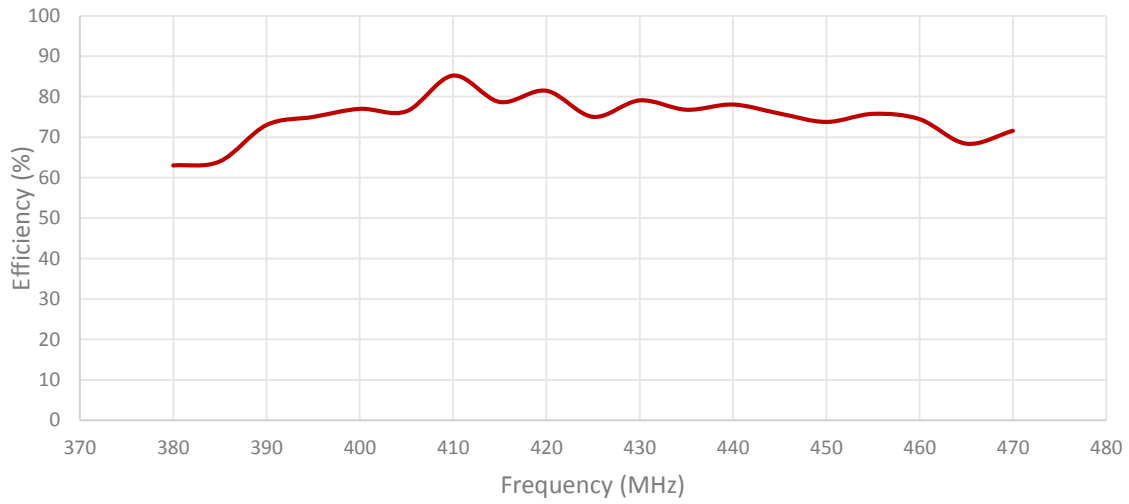
Measured in Certified CTIA 3D Anechoic Chamber

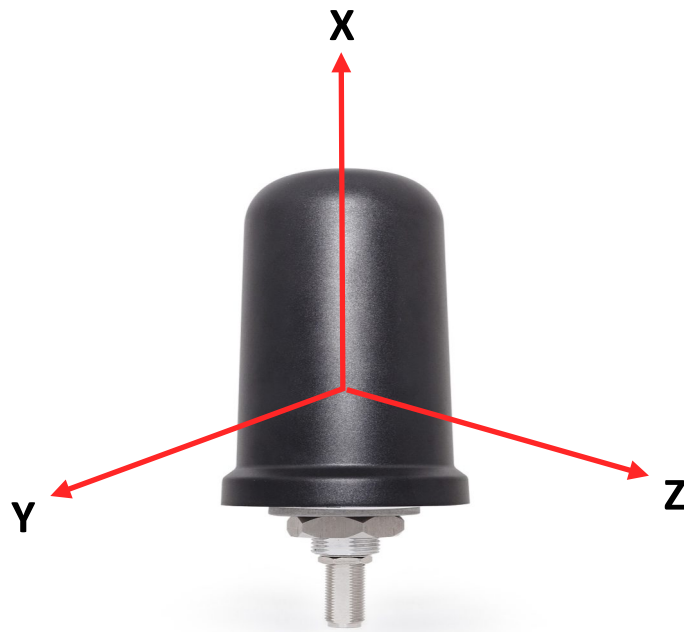
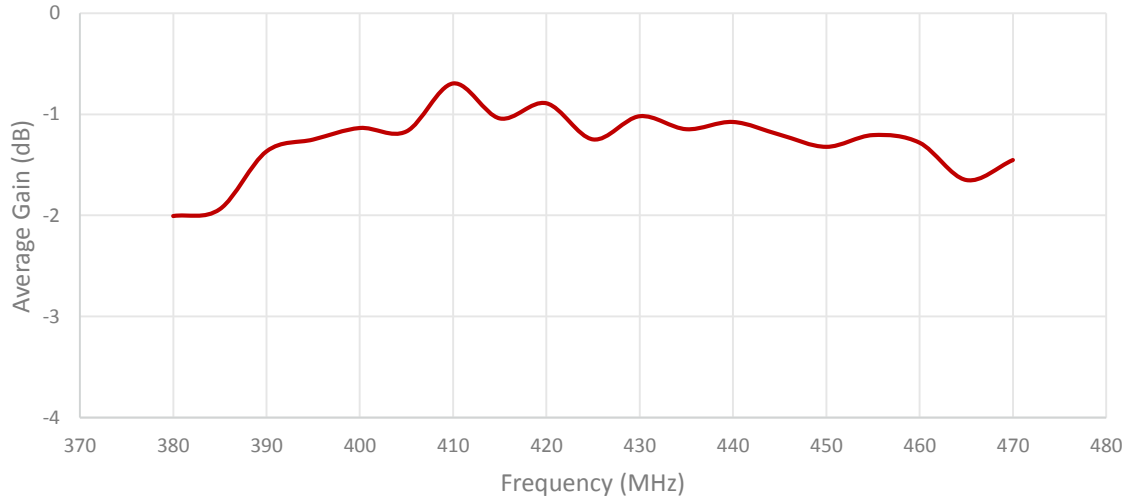
## 2. Mechanical and environmental specifications

Specifications	2J7010B
<b>Mounting Type</b>	Screw Mount
<b>Dimensions (mm)</b>	Ø 96 × 130
<b>Radome</b>	ASA UV Stable
<b>Radome color</b>	Black, White
<b>Antenna Base</b>	Alluminium alloy
<b>Operating Temperature (C)</b>	-40 to +85
<b>Storage Temperature (C)</b>	-40 to +85
<b>Substance Compliance</b>	RoHS
<b>Certificates</b>	IP67, IP69, IK09

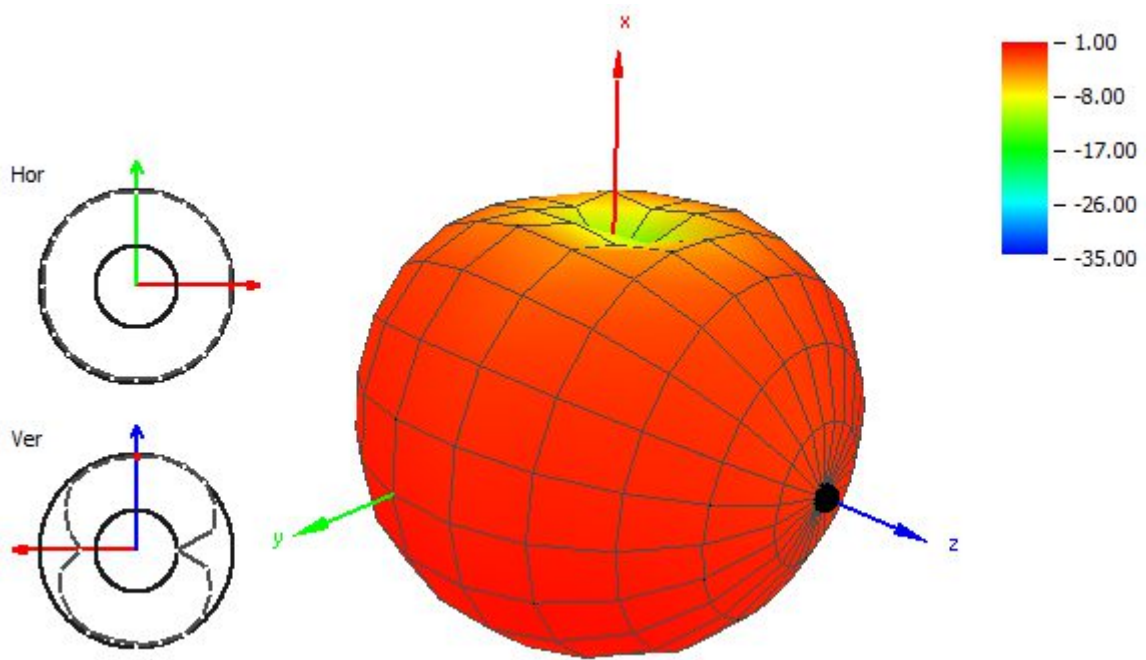
### 3. Antenna parameters





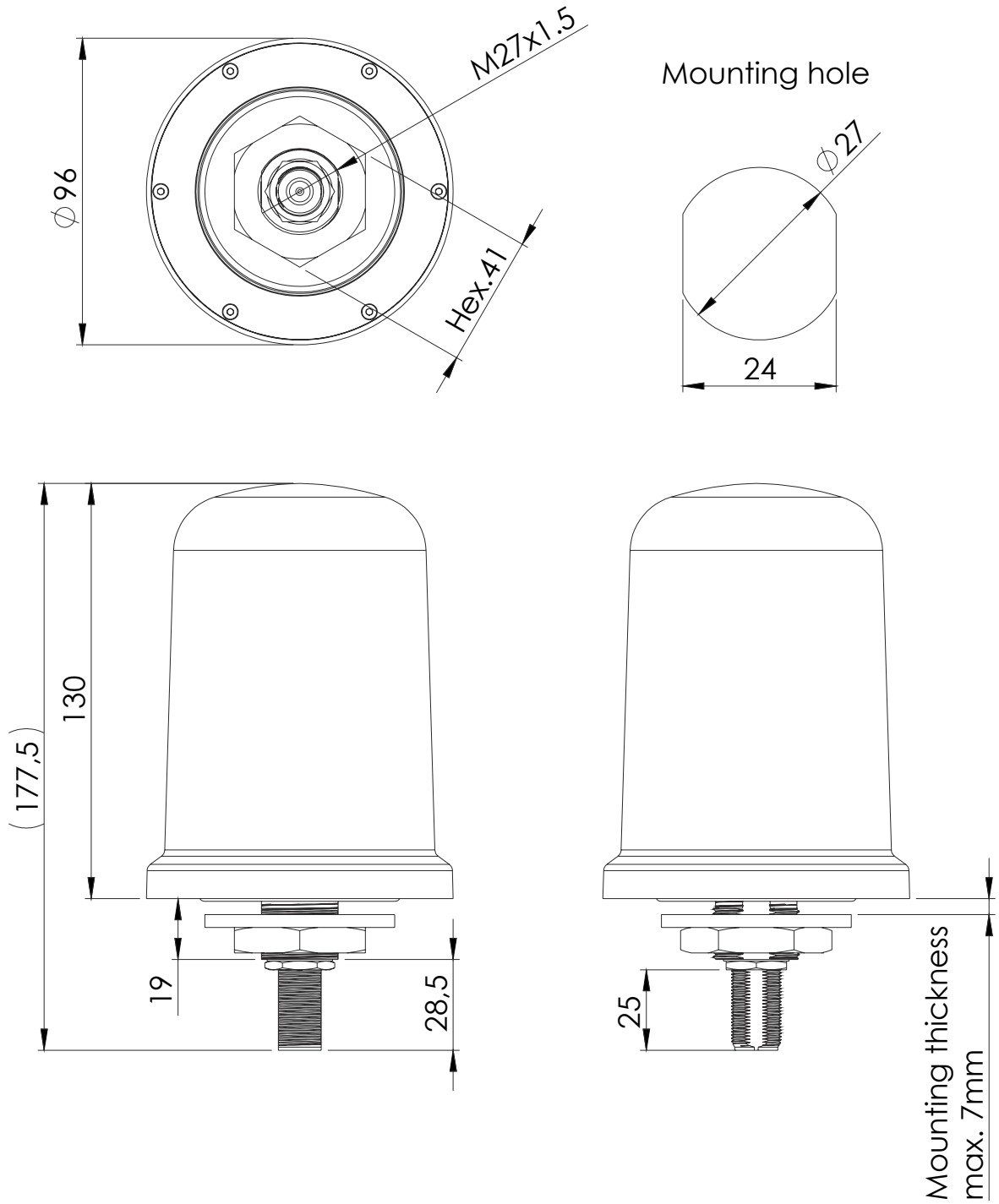


Radiation pattern reference



425 MHz Radiation pattern

## 4. Antenna drawings



## 5. Antenna Images

