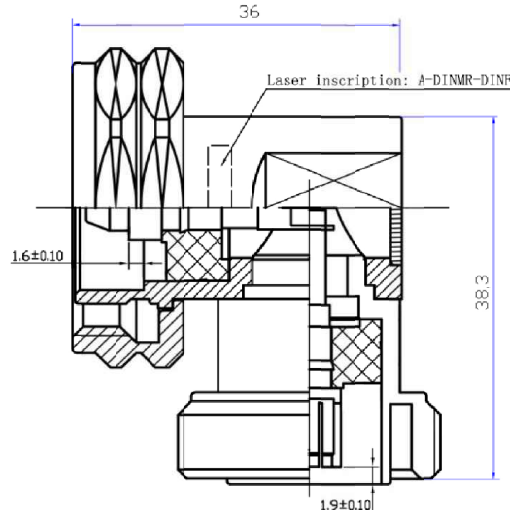


Technical Data sheet

Adapter
7/16-(m) to 7/16-(f) R/A

03.04.044



Site 1: 7/16"-male
Site 2: 7/16"-female

ALL DIAMENSIONS IN MILLIMETERS

Electrical characteristics

Impedance	50 Ω
Frequency Range	DC - 6.0 GHz
VSWR	≤ 1.1 (0-3 GHz)
Intermodulation (PIM)	≤ -155 dBc (2x43dBm)
RF Leakage @ 1GHz	≥ 90 dB
Dielectric withstanding voltage (at sea level)	3000V
Working Voltage (at sea level)	2700V
Insulation resistance	≥ 5000 M Ω

Mechanical characteristics

Coupling nut torque (recommended)	25 Nm
Coupling nut retention force	450 N
Durability (matings)	≥ 500
Temperature range	-55°C to +155°C

Type	Material	Plating
Center Conductor	Brass	Ag - Silver
Insulation	PTFE	-
Body	Brass	Ternary-Alloy
Gaskets	Silicone rubber	-