

1 2 3 4 5 6 7 8

REVISIONS		
ISS	ZONE	DESCRIPTION\PER REQUEST\DATE

F

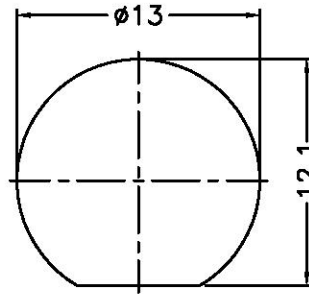
E

D

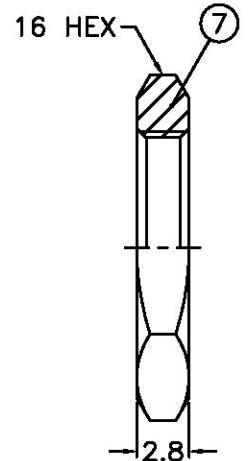
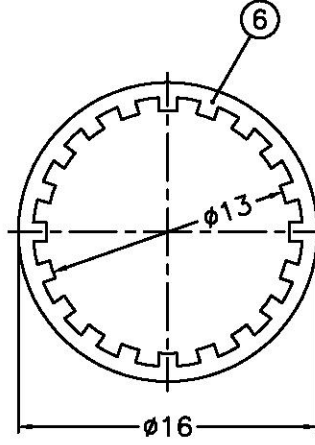
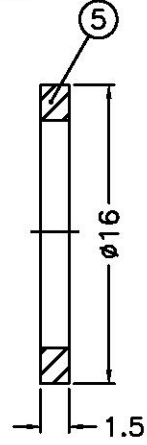
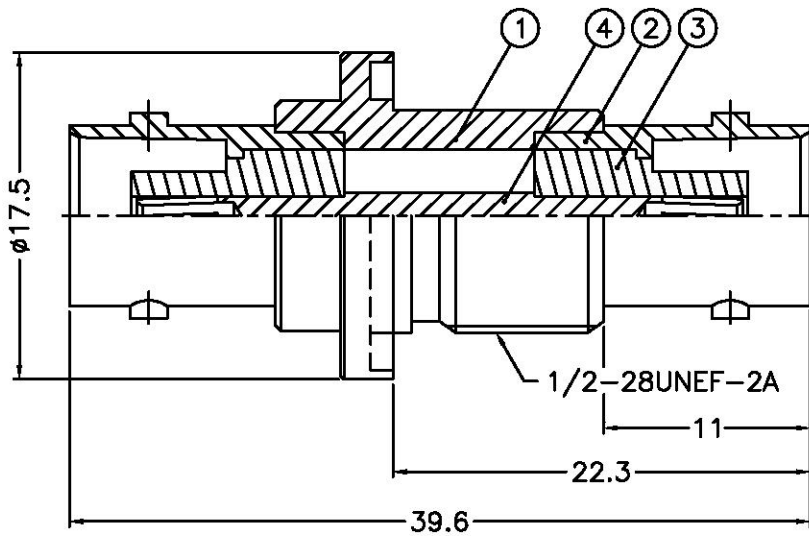
C

B

A



RECOMMENDED MOUNTING HOLE
(建議安裝孔)



NOTES: FINISH (PLATING THICKNESS IN MICRO-INCHES)
 1. BRASS
 2. NICKEL PL. 100 MIN. THICK OVER COPPER PL. 50 MIN. THICK
 3. PHOSPHOR BRONZE
 4. GOLD PL. 3 MIN. THICK OVER NICKEL PL. 50 MIN. THICK OVER COPPER PL. 50 MIN. THICK
 5. TEFLON

RoHS COMPLIANT

DIMENSIONS ARE IN MILLIMETERS						PART NO.		TITLE BNC JACK TO JACK BULKHEAD ADAPTOR	
UNLESS OTHERWISE SPECIFIED TOLERANCES						APPROVED			DRAWING NO. 900-7471A2-50
0.5-6 = ±0.2						DATE			
7	HEX NUT	NOTE 1	NOTE 2	1	HN-16-1228-28	09-10-'14			
6	LOCK WASHER	NOTE 1	NOTE 2	1	LW-13-16-05	DATE			
5	GASKET	RUBBER	RED	1	GS-122-160-15	09-10-'14			
4	CONTACT PIN	NOTE 3	NOTE 4	1	900-7470-4	DATE			
3	INSULATOR	NOTE 5	NATURAL	2	900-7000-3-50T	09-10-'14			
2	BODY	NOTE 1	NOTE 2	2	900-6000-2	DATE			
1	HOUSING	NOTE 1	NOTE 2	1	900-7470-1	09-10-'14			
NO.	DESCRIPTION	MATERIAL	FINISH	Q'TY	DRAWING NO.	SCALE	2.5/1	ISSUE	A
FILE NO. R:\D\G\DWG\900\7471A2\50-1									

F

E

D

C

B

A

1 2 3 4 5 6 7 8