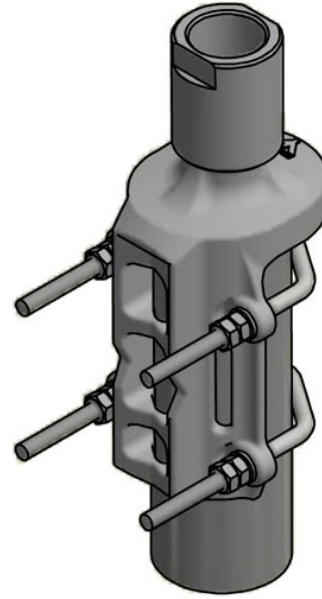


Universal Mast Mounting Clamp for Ground-plane Antennas with 38 mm GP head

DESCRIPTION

- Using the combination of the LW-SS-1" mast mounting clamp and the GP adaptor (to be ordered separately), all ground-plane antennas can be mounted on any kind of horizontal or vertical supporting mast tube, as long as the outer diameter of the tube is within 16 to 54 mm.
- The accompanying U-bolts and nuts are made of stainless steel.
- The construction of the clamp makes it possible to run the downlead cable either along the inside or on the outside of the mast tube.
- Please note that an antenna should always be mounted as high and as unobstructed as possible. Objects in the vicinity of the antenna, especially parallel metallic parts (other antennas, wires etc.) may have considerable degrading influence on the SWR and the radiation pattern of the antenna.
- The GP Adaptor is to be tightened with approx 35-40 Nm before installation.



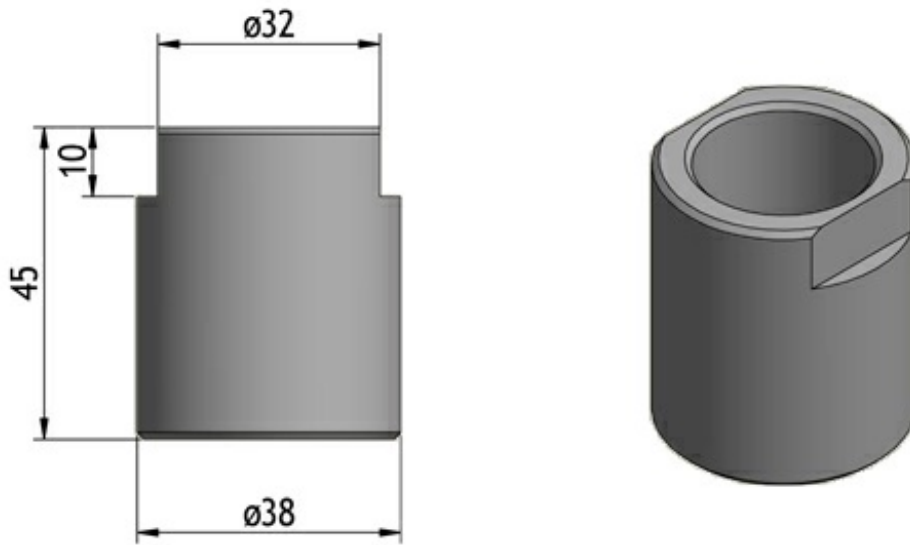
ORDERING

Model	Product No.
LW-SS-1"	110000394
GP Adaptor	100000679

SPECIFICATIONS

Electrical	
Model	LW-SS-1" with GP Adaptor
Application	Universal clamp for mounting GP- antennas with GP heads for 38 mm mast tubes on vertical or horizontal mast tubes with 16 - 54 mm diameter
Mechanical	
Materials	Mounting bracket: Stainless steel (AISI 316L)
Dimensions	See drawing
Weight	0.75 kg / 1.65 lb
Mounting	On 16 to 54 mm dia. mast tube

ADDITIONAL DATA



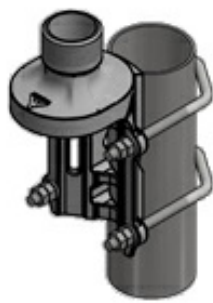
The GP Adaptor need to be ordered separately

INSTALLATION DETAILS

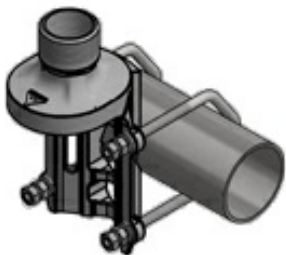
Mast tube
 $\varnothing 42 - \varnothing 54$ mm



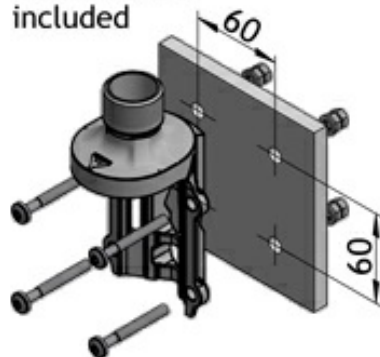
Mast tube
 $\varnothing 16 - \varnothing 54$ mm



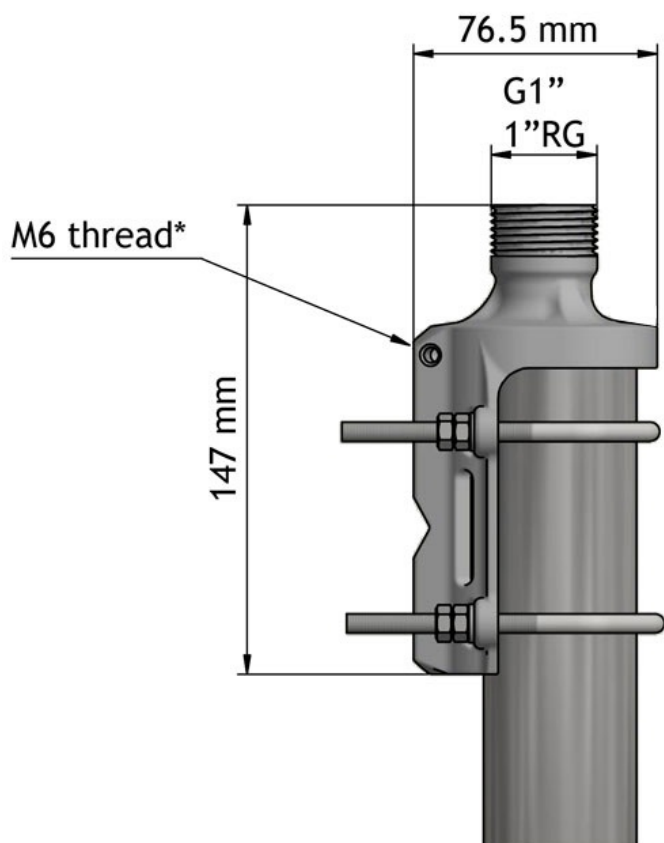
Mast tube
 $\varnothing 16 - \varnothing 54$ mm



Bolts for wall
mounting not
included



MOUNTING DETAILS



* Only available on the LW-SS-1"-Ex

LW-SS-GP (LW-SS-1" WITH ADAPTOR)

