

Model: PAU5-X08-3-091310 PANEL ANTENNA

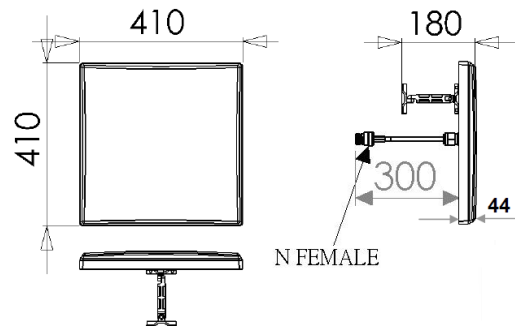
Electrical Specifications:

Frequency Range	790~960/1710~2170/ 2500~2700MHz
VSWR	≤ 3
Gain	9/13/10dBi
Impedance	50Ω±5Ω
Polarization	Vertical
Beamwidth	NA
H-PLANE	790~960MHz:53°
	1710~2170MHz:26°
	2500~2700MHz:18°
E-PLANE	790~960MHz:48°
	1710~2170MHz:30°
	2500~2700MHz:28°
Max. Power	10 Watt
Isolation	NA

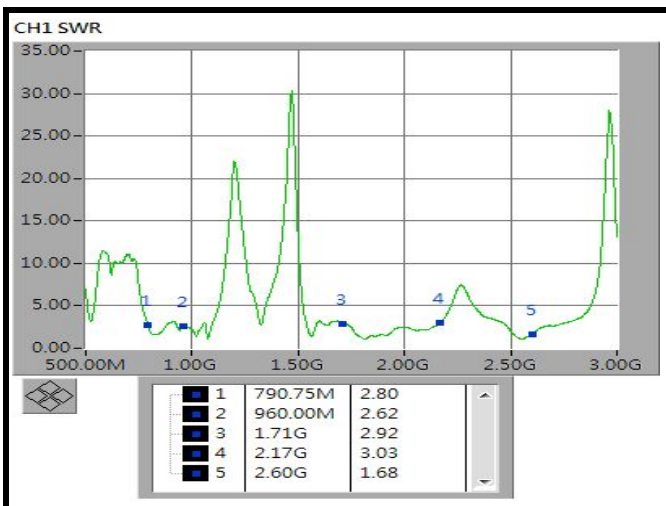


Mechanical Specifications:

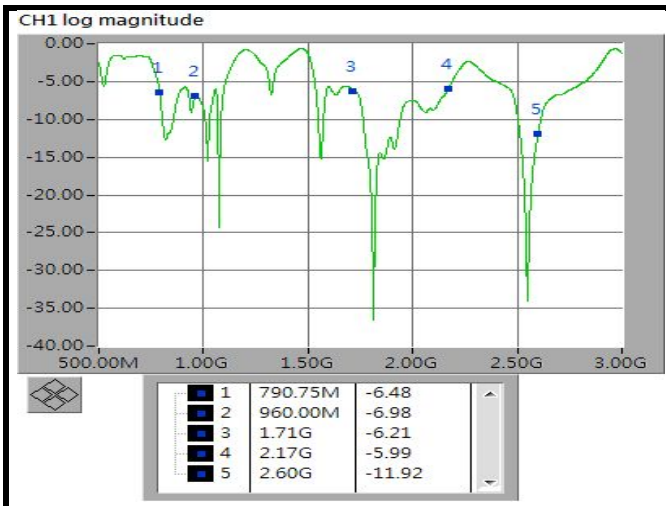
Connector	N FEMALE
Cable	PRO200-30cm
Operation Temp.	-30°C ~ +60°C
Material-Radome	Radome-ABS
Dimension (L*W*H)	410*410*44 mm ±2mm
Weight	2150g ± 10 g
RoHS compliant	Yes



VSWR

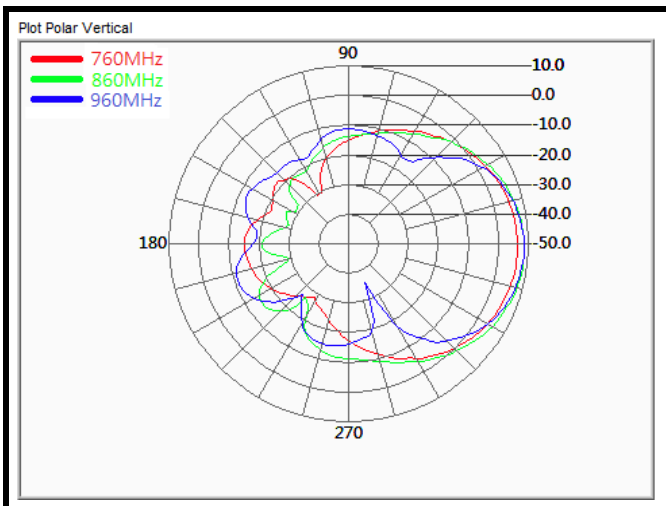


S11

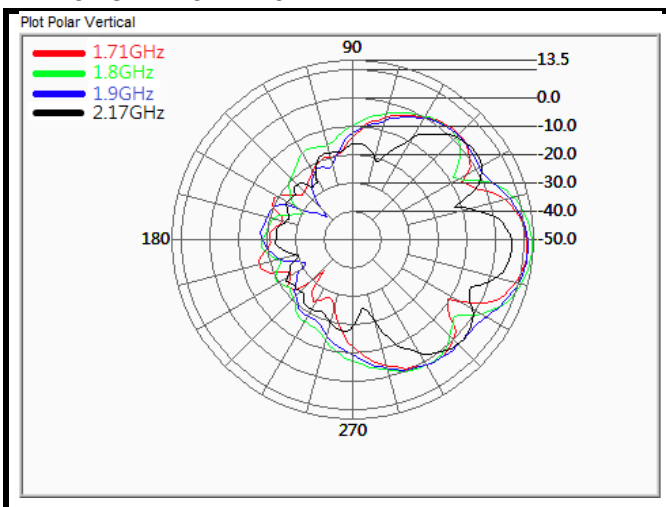


Radiation Pattern

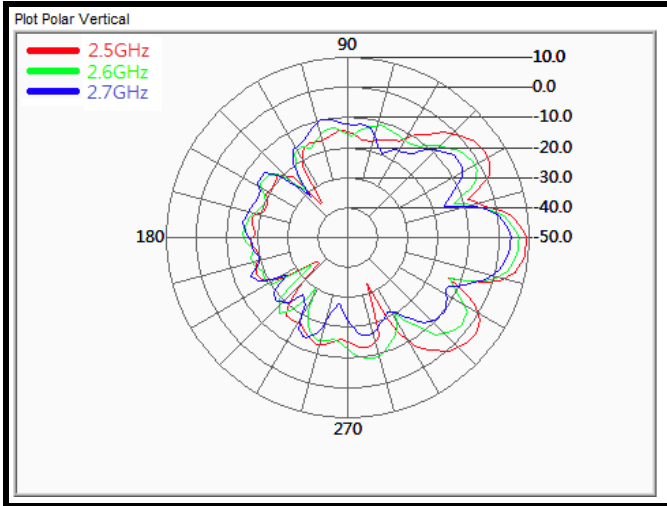
H Plane 790-960MHz



H Plane 1710-2170MHz

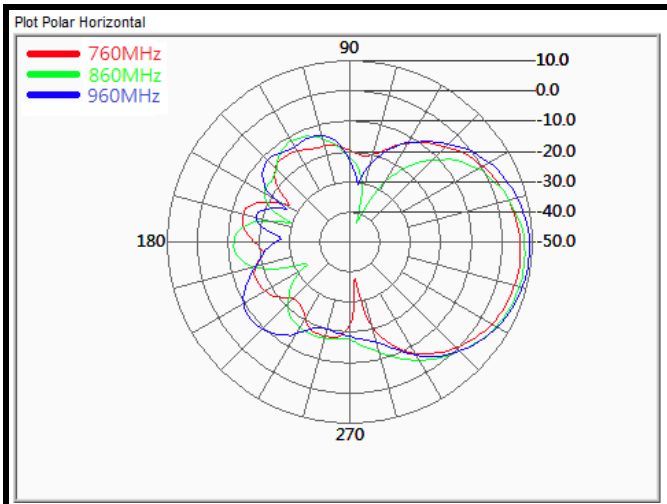


H Plane 2.5~2.7G

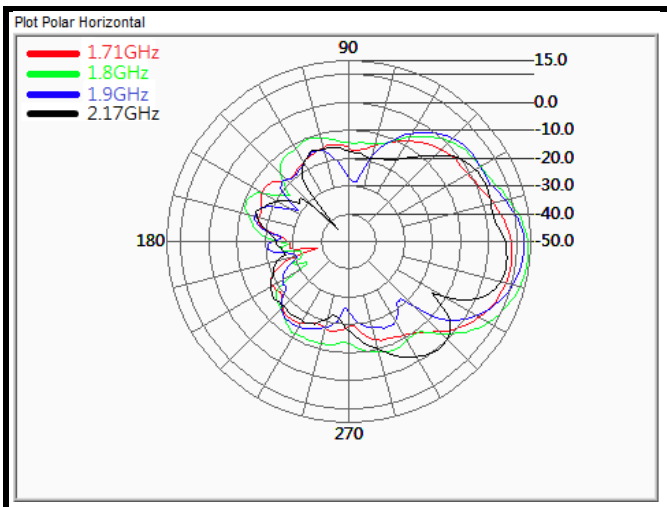


Radiation Pattern

E Plane 790-960MHz



E Plane 1710-2170MHz



E Plane 2.5~2.7G

