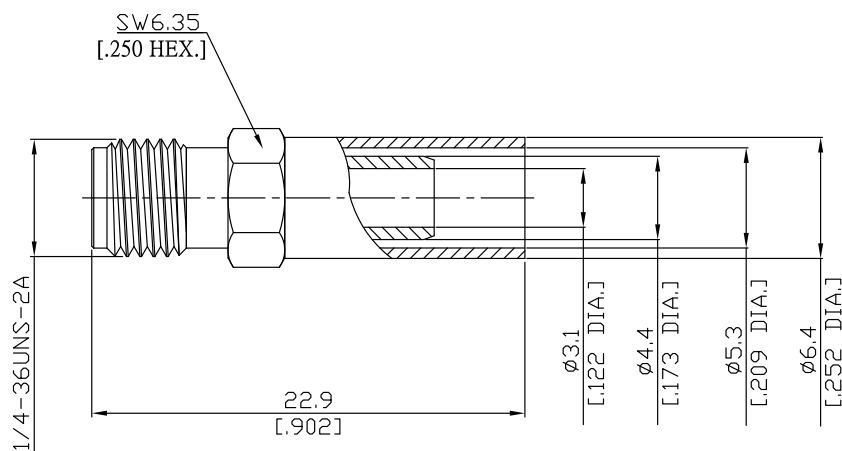


SMA Straight Cable Jack

SMA2C50-G058A/91



All dimensions are in mm [inch]
Tolerances according to DIN ISO 2768-mH

Interface

According to MIL-C-39012; MIL-STD-348A/310

Electrical Data

Impedance 50 Ω
Frequency DC to 12.4 GHz
VSWR (Return Loss) ≤ 1.04 (≥ 34.15 dB), DC to 1 GHz
≤ 1.05 (≥ 32.26 dB), 1 to 2.5 GHz
≤ 1.20 (≥ 20.83 dB), 2.5 to 5 GHz
Insertion Loss ≤ 0.04 × √F (GHz) dB, DC to 5 GHz

- Limitations are possible due to the used cable type and manufacturing process -

Mechanical Data

Coupling mechanisms Screw-lock
Centre contact Soldered
Cable entry Crimped

Environmental Data

Temperature range -65°C to +165°C
RoHS compliant

Material And Plating

Connector parts	Material	Plating
Centre contact	Beryllium Copper	Gold plating(Nickel underplated)
Body	Brass	Gold plating(Nickel underplated)
Insulator	PTFE	
Crimp ferrules	Brass	Copper-Tin-Zinc Alloy

Suitable Cables

RG 58, RG 58A, RG 58C, RG 141, RG 303, BELDEN 7806A, BELDEN 9907, LMR 195

Packing

Single or 100