

## N173F

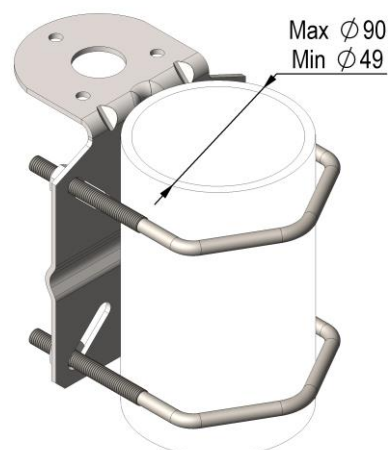
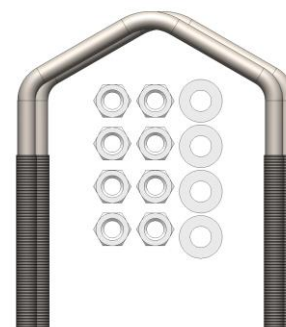
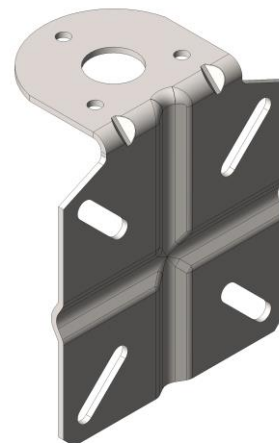
### Angle bracket for mast mount

N173F is a universal mast mount for mounting pipe with diameter  $\varnothing 49-90\text{mm}$ .

It is a very versatile pole and wall mount with installation friendly front mount. The bracket fits both horizontal and vertical pipes. The beads help aligning the bracket upon installation. N173F includes a mounting 1"-14 TPI nut and washer set for the antenna fixation.

#### Mechanical Specification

Material	Stainless Steel SS316
Finish	Polished
Weight (g/lbs)	691/1.52
Mounting method	Mast and wall mount
Mounting pipe diameter (mm)	$\varnothing 49-90$
Nut thread	1"-14 TPI



#### This part fits

This product fits all AC Antennas products with an external 1"-14 TPI thread, such as the CX4-3 and VHF/GPS.

