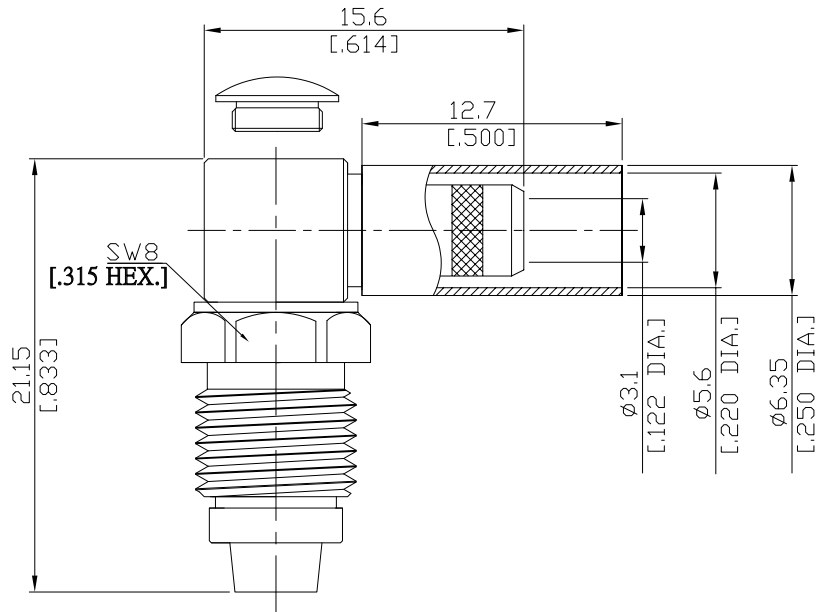




FME Right-Angle Cable Jack

FME2C59-G142A/H4



All dimensions are in mm [inch]  
Tolerances according to DIN ISO 2768-mH

**Interface**

According to N/A

**Electrical Data**

Impedance 50 Ω  
Frequency DC to 2.5 GHz

- Limitations are possible due to the used cable type and manufacturing process -

**Mechanical Data**

Coupling mechanisms Screw-lock  
Centre contact Soldered  
Cable entry Crimped

**Environmental Data**

Temperature range -65°C to +165°C  
RoHS compliant

**Material And Plating**

| Connector parts | Material | Plating                          |
|-----------------|----------|----------------------------------|
| Centre contact  | Brass    | Gold plating(Nickel underplated) |
| Body            | Brass    | Copper-Tin-Zinc Alloy            |
| Insulator       | PTFE     |                                  |
| Crimp ferrules  | Brass    | Copper-Tin-Zinc Alloy            |

**Suitable Cables**

RG-55, RG-142, RG-223, RG-400

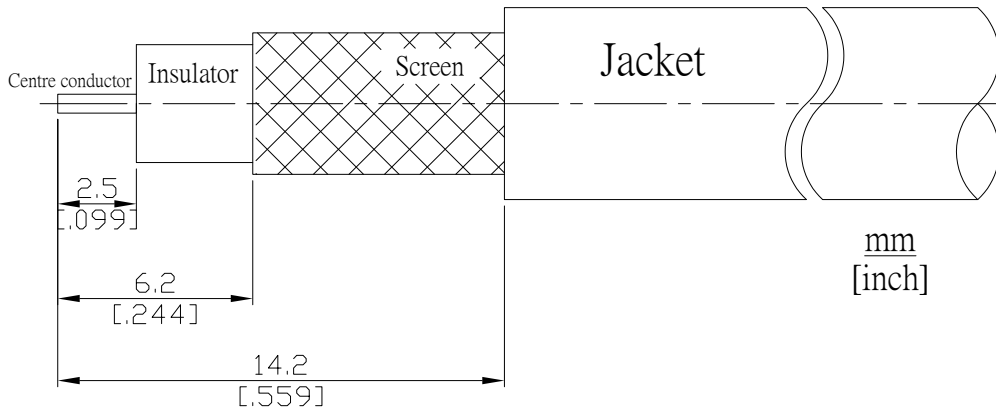
**Packing**

Single, 5-pack, or 100

FME Right-Angle Cable Jack

FME2C59-G142A/H4

**Recommended Cable Stripping Dimensions**



**Crimp Dimensions [HEX]**

Crimp ferrule 5.41 mm [.213 inch]