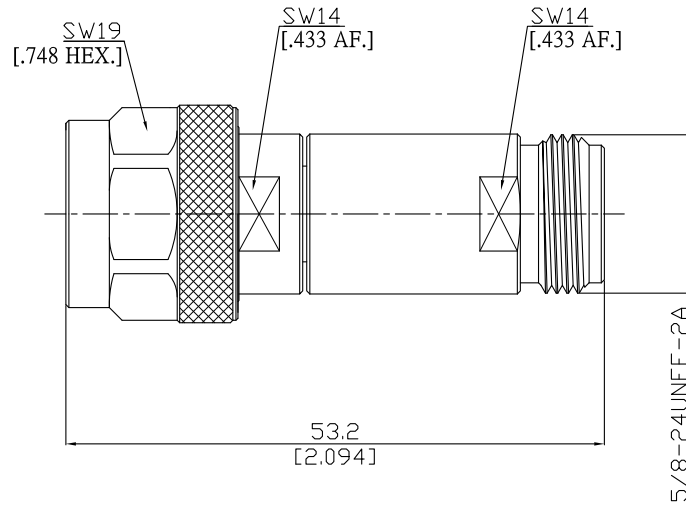


Fixed Attenuator plug/jack
N plug (male) / N jack (female)

FA-N1N25A-3G2W- -/944-94



All dimensions are in mm [inch]

Tolerances according to DIN ISO 2768-mH

Interface

According to IEC 61169-16; CECC 22210; MIL-C-39012; MIL-STD-348A/304

Electrical Data

Impedance 50 Ω
 Frequency DC to 3 GHz
 VSWR (Return Loss) ≤ 1.25 (≥ 19.08 dB)
 Power rating 2 Watt average power up to 25 °C

Maximum Deviation Over Frequency

Nominal ATTN (dB)	Deviation (dB)
1-10	±0.4
11-30	±0.5

Mechanical Data

Coupling mechanisms Screw-lock
 Weight N/A

Environmental Data

Temperature range -55°C to +130°C
 RoHS compliant

Material And Plating

Piece Parts (N)	Material	Plating
Centre contact	Beryllium Copper	Gold plating (Nickel underplated)
Body	Brass	Copper-Tin-Zinc Alloy
Insulator	PTFE	
Gasket	Silicone Rubber	
Coupling Nut	Brass	Copper-Tin-Zinc Alloy

Piece Parts (N)	Material	Plating
Centre contact	Beryllium Copper	Gold plating (Nickel underplated)
Body	Brass	Copper-Tin-Zinc Alloy
Insulator	PTFE	

Packing

Single or 100