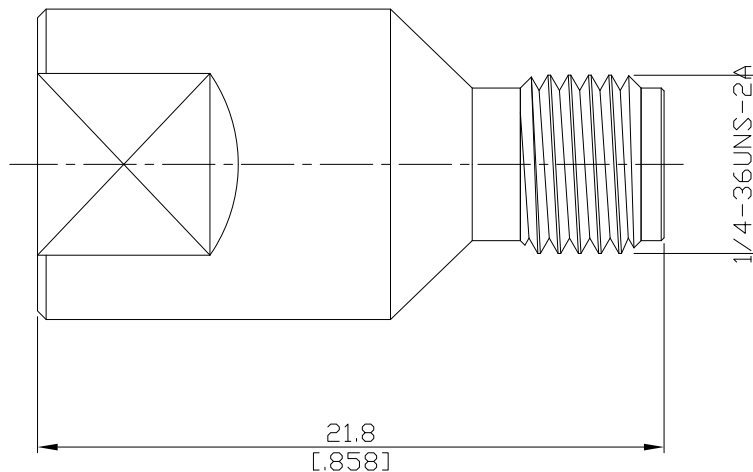


Adaptor plug/jack  
FME plug (male) / SMA jack (female)

AD-E1A25A/14-94



All dimensions are in mm [inch]

Tolerances according to DIN ISO 2768-mH

#### Interface

According to MIL-C-39012; MIL-STD-348A/310

#### Electrical Data

Impedance 50 Ω  
Frequency DC to 2.5 GHz

#### Mechanical Data

Coupling mechanisms SMA (Screw-lock); FME (Screw-lock)  
Weight 0.0070 kg

#### Environmental Data

Temperature range -65°C to +165°C  
RoHS compliant

#### Material And Plating

Piece Parts (FME)	Material	Plating
Centre contact	Brass	Gold plating(Nickel underplated)
Body	Brass	Copper-Tin-Zinc Alloy
Insulator	PTFE	
Piece Parts (SMA)	Material	Plating
Centre contact	Beryllium Copper	Gold plating(Nickel underplated)
Body	Brass	Copper-Tin-Zinc Alloy
Insulator	PTFE	

#### Packing

Single or 100