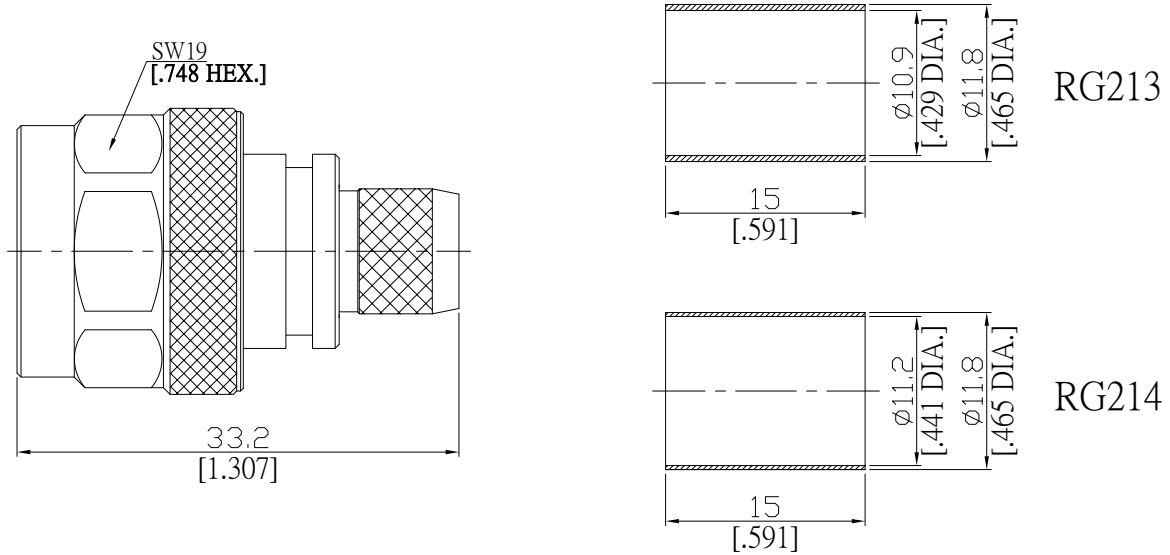


N Plug (Male) Cable Connector

N1C50-G213-214AA/144



All dimensions are in mm [inch]

Tolerances according to DIN ISO 2768-mH

Interface

According to IEC 61169-16, CECC 22210; MIL-C-39012; MIL-STD-348A/304

Electrical Data

Impedance 50 Ω
 Frequency DC to 6 GHz
 VSWR (Return loss) ≤ 1.20 (≥ 20.83 dB)

- Limitations are possible due to the used cable type and manufacturing method -

Mechanical Data

Coupling mechanisms Screw-lock
 Centre contact Solder or Crimp
 Cable entry Crimp

Environmental Data

Temperature range -65°C to +165°C
 RoHS compliant
 REACH compliant

Material And Plating

Connector parts	Material	Plating
Centre contact	Brass	Gold plating(Nickel underplated)
Body	Brass	Copper-Tin-Zinc Alloy
Insulator	PTFE	
Gasket	Silicone Rubber	
Coupling nut	Brass	Copper-Tin-Zinc Alloy

Suitable Cables

RG-213, RG-214, RG-393

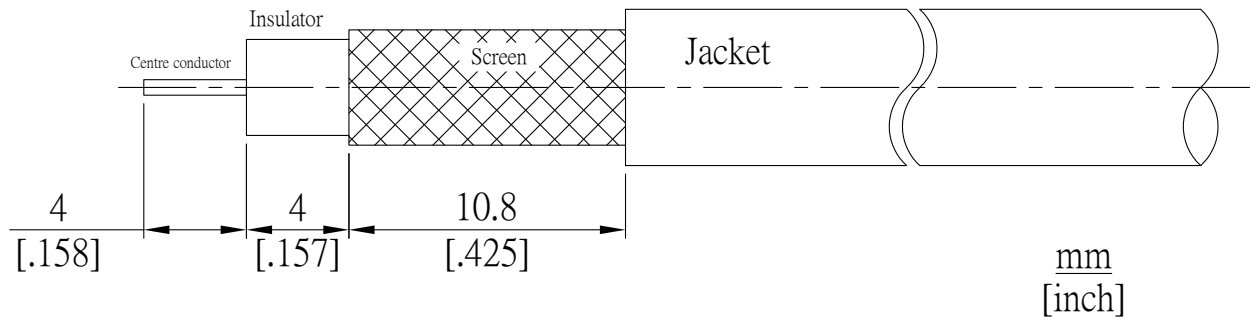
Packing

Single or 100

N Plug (Male) Cable Connector

N1C50-G213-214AA/144

Cable Stripping Dimensions



Crimp Dimensions [HEX]

Crimp ferrule 10.90mm [.429 inch]
Centre contact 2.54mm [.100 inch]