

Band selective High-Performance Low-Noise Amplifier for the 350 - 520 MHz band with built-in low-loss preselector

BESCHREIBUNG

- Covers the whole frequency range from 350 - 520 MHz.
- Built-in low-loss input preselector. Prevents amplifier overload from e.g. nearby transmitters in adjacent frequency bands:
 - Rejects the entire HF/VHF range from 0 to 240 MHz > 30 dB
 - Rejects LTE, GSM and UMTS > 30 dB
- Miniature LNA suitable for:
 - Preamplifier in receiver systems to ensure low system noise figure.
 - Preamplifier in antenna signal distribution network.
 - Compensating for high cable loss.
- Very low noise figure ensures best possible S/N ratio of weak RF signals.
- Excellent amplifier dynamic range ensure handling of strong RF signals with very low level of IM distortion.
- Low input and output VSWR ensure excellent termination of connected units (e.g. filters).
- Low power consumption.
- Built-in voltage regulator ensures wide supply voltage range.
- DC supply on solder terminal or on 2.5 mm barrel DC connector.
- DC supply from phantom voltage on the output cable available as option (-PHDC).
- Available with N(f), SMA(f) or TNC(f) connectors.
- Low weight.
- Wide temperature range.
- Sturdy aluminium box.
- This filter is coated with black vinyl to prevent corrosion.

SPEZIFIKATIONEN

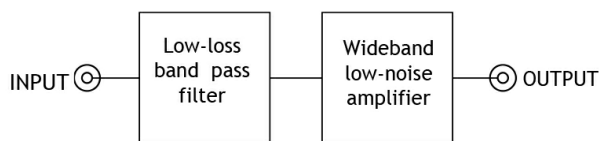
Elektrisch DE	
Modell	PRO-LNA-350-520-...
Frequenz	350 - 520 MHz
Ampere. Gewinnen	19 dB ± 2 dB
Max. Output-Leistung @ 1 dB Kompression (P1dB)	> +17 dBm
Lärm Abbildung	< 1.5 dB, typ. 1.2 dB @ 23° C
Interceptpunkt 3. Ordnung (OIP3)	> +33 dBm
Impedanz	50 Ω
Eingabe VSWR	< 1.5:1 (Output loaded with 50 ohm)
Output VSWR	Max. 1.5:1 (Input loaded with 50 ohm)
Max. Eingangsleistung (dBm)	+20 dBm
Isolierung	≥ 25 dB
Energieversorgung	8 - 25 VDC
Stromaufnahme	Typ. 75 mA
Selektivität	See GAIN / VSWR curve
Mechanisch DE	
Anschlussstyp	N(f), SMA(f) or TNC(f)
Abmessungen	130 x 90 x 36 mm
Gewicht	ca. 0.21 kg
Umwelt	
Betriebstemperaturbereich	-30°C to +60°C
IP Schutzklasse	IP31



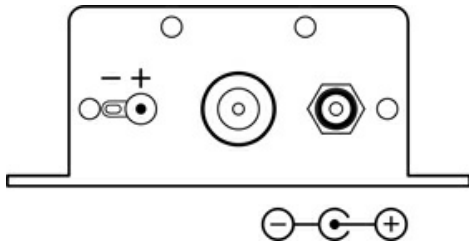
BESTELLUNG

Modell	Produkt Nr
PRO-LNA-350-520-N(f)	210002216
PRO-LNA-350-520-SMA(f)	210002217
PRO-LNA-350-520-TNC(f)	210002218
Accessories	
ADAPTOR AC/DC, 12 VDC/500 mA EU	240000040
ADAPTOR AC/DC, 12 VDC/500 mA UK	240000041

BLOCK SCHEMATIC



POWER SUPPLY CONNECTION



ADAPTOR AC/DC 12V EU - ADAPTOR AC/DC 12V UK

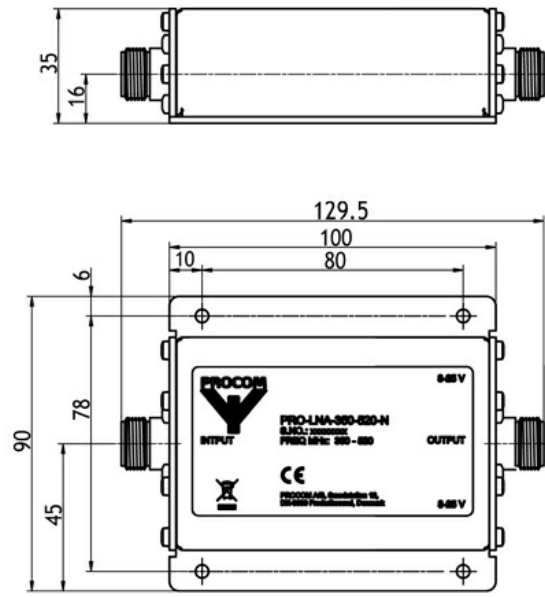


EU DECLARATION OF CONFORMITY

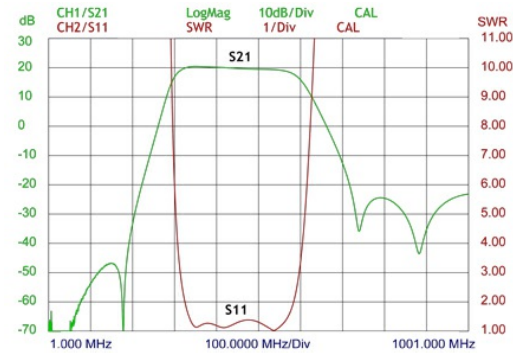
Hereby Amphenol Procom declare that the product type PRO-LNA-350-520-... is in compliance with EU Directive 2014/53/EU. The full text of the EU Declaration of Conformity is available at:

<https://amphenolprocom.com/images/shop/catalog/pdf-for-catalogues/Declaration-of-Conformity-PRO-LNA-350-520.pdf>

MOUNTING DETAILS



TYPISCHE GEWINN UND VSWR KURVEN



TYPICAL NOISE FIGURE

