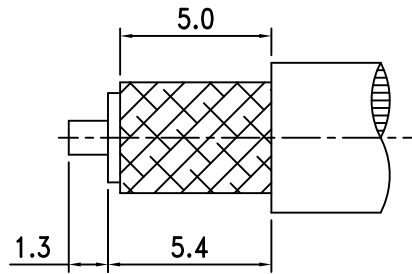
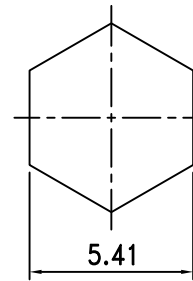


Electrical Characteristics	
Impedance	50 Ω
Frequency Range	0-4 GHz
V.S.W.R.	≅ 1.3 (straight)
Dielectric Withstanding Voltage	≅ 800 VRMS at sea level

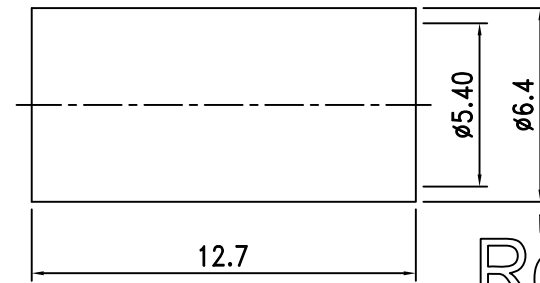
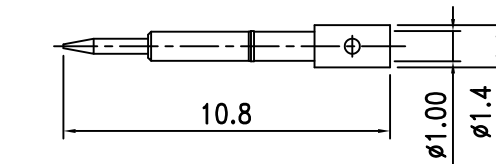
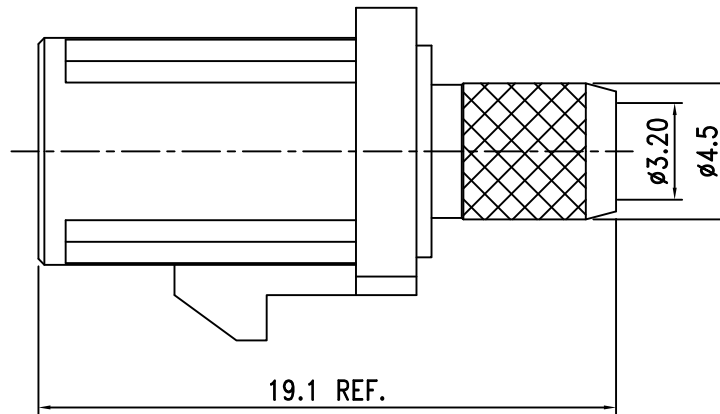
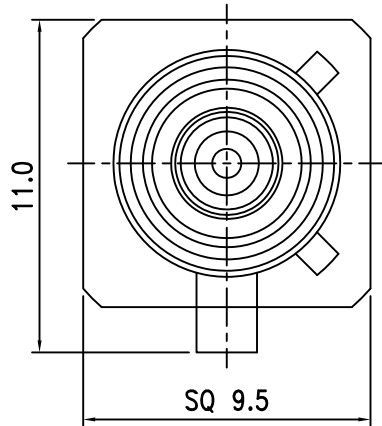
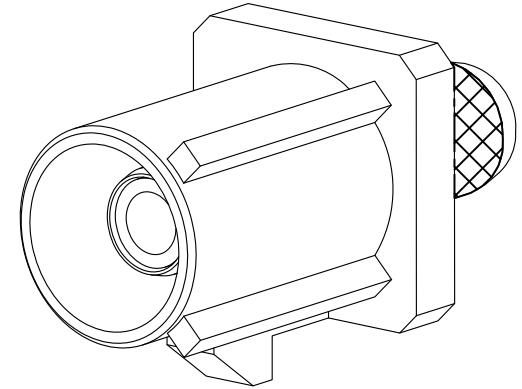
Mechanical Characteristics	
Plastic housing retention force	≅ 90 N
Cable retention force	≅ 100 N
Temperature range	-40°C / +105°C



RECOMMENDED
CABLE STRIPPING DIM'S



RECOMMENDED
CRIMPING TOOL SIZE



NO.	DESCRIPTION	MATERIAL	Q' TY	FINISH
5.	Ferrule	Brass	1	Nickel
4.	Housing	PA66	1	Bordeaux
3.	Insulation	PTFE	1	White
2.	Pin	Brass	1	Gold
1.	Body	Brass	1	Nickel

DRAWN	SCALE	UNITS		
Jenny	4:1	mm		
CHECKED	TOLERANCE		TITLE	For Cable RG-58U
<i>Peter</i>	.X	±0.2	REV.	CAD FILE
APPROVAL	.XX	±0.1	日期DATE	
<i>Peter</i>	.XXX	±0.05	D	2017.02.18
	ANGLE	±0.5°		