



2J8510B

(Datasheet)

Type	Tetra Antenna
Frequencies	TETRA (380 - 500 MHz)
Mounting	Body Mount
Revision	00




P. Tipul


D. Noble

1. SPECIFICATION

1.1. Electrical Specifications

Tetra

Frequencies	TETRA (380 - 500 MHz)
Impedance	50 Ohms
Polarization	Vertical
Gain	2dBi
VSWR	<2:1
Power handling	50W
Operating temperature	-40°C to +85°C

*Center frequency can be tuned in specific range

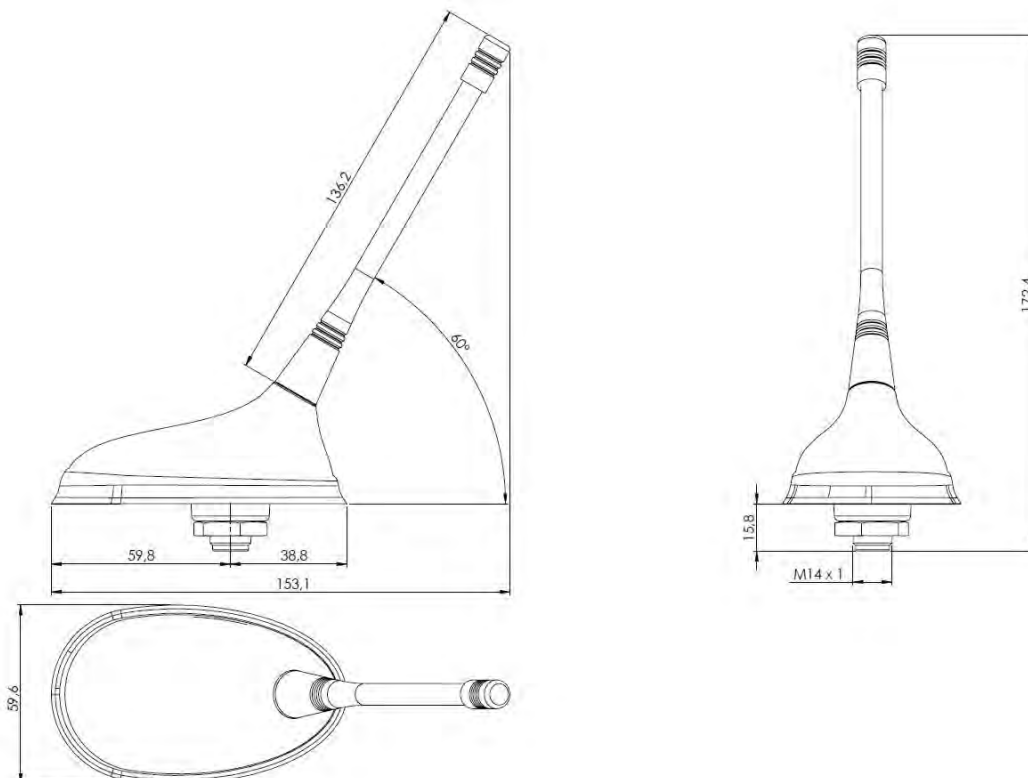
1.2. Connection Specifications

Connector type: FME female
 Cable: RG58
 Cable length: 250 cm

For different cable or connector type please ask our sales team.

1.3. Mechanical Specifications and Dimensions

Material: Lid: ABS / Base: Zamak / Gasket: TPE
 Max. dimensions: 152mm x 153.1mm x 59.6mm (dimensions after mounting)
 Colour: Black (for different colours please ask our sales team)



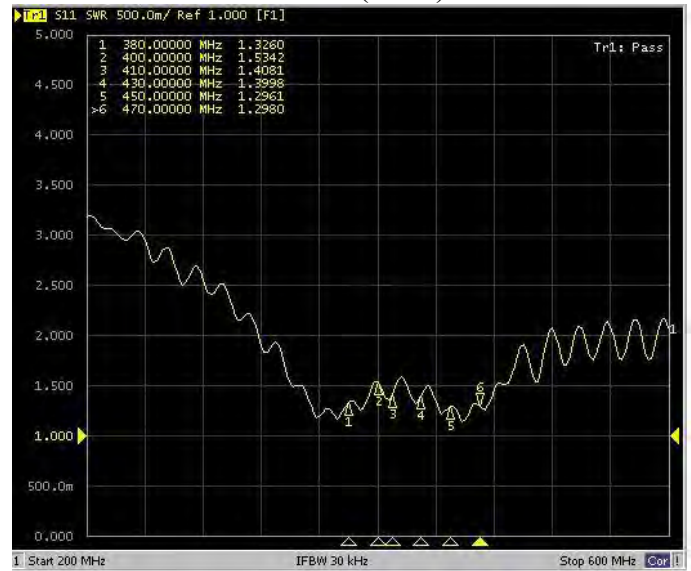
2. MEASUREMENT

VSWR (Tetra)



Tested with 3m cable length

VSWS (Tetra)



Tested with 5m cable length

Log Mag (Tetra)



Tested with 3m cable length

Log Mag (Tetra)



Tested with 5m cable length