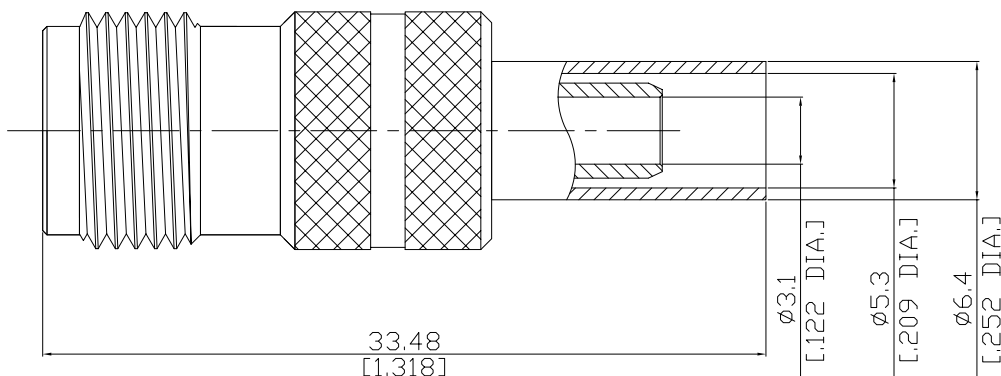


TNC Straight Cable Jack

TNC2C50-G058A/H4



All dimensions are in mm [inch]

Tolerances according to DIN ISO 2768-mH

Interface

According to IEC 60169-17; MIL-C-39012; MIL-STD-348A/313

Electrical Data

Impedance 50 Ω
Frequency DC to 6 GHz

- Limitations are possible due to the used cable type and manufacturing process -

Mechanical Data

Coupling mechanisms Screw-lock
Centre contact Soldered or Crimped
Cable entry Crimped

Environmental Data

Temperature range -65°C to +165°C
RoHS compliant

Material And Plating

| Connector parts | Material | Plating |
|-----------------|-----------------|----------------------------------|
| Centre contact | Phosphor Bronze | Gold plating(Nickel underplated) |
| Body | Brass | Copper-Tin-Zinc Alloy |
| Insulator | PTFE | |
| Crimp ferrules | Brass | Copper-Tin-Zinc Alloy |

Suitable Cables

RG-58C, RG-303, LMR 195, RNL-195

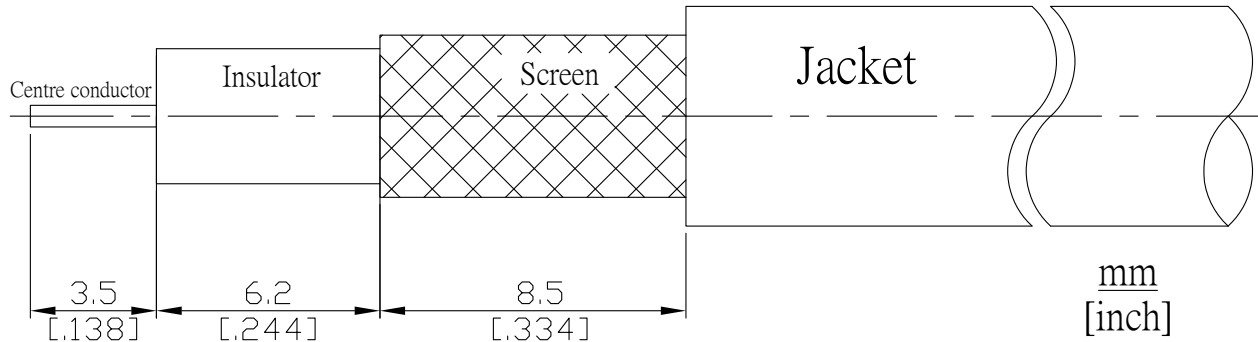
Packing

Single, 5-pack, or 100

TNC Straight Cable Jack

TNC2C50-G058A/H4

Recommended Cable Stripping Dimensions



Crimp Dimensions [HEX]

| | |
|----------------|---------------------|
| Crimp ferrule | 5.41 mm [.213 inch] |
| Centre contact | 1.73 mm [.068 inch] |