

# 2J6A24B

## CELLULAR / LTE Screw Mount

### Key Features

#### CELLULAR / LTE

- 698-960 MHz
- 1710-2170 MHz
- 2500-2700 Mhz

Screw Mount

Anti-Rotation Mechanism

Ground Plane Dependent

Customizable Cable and Connector

IP67, IK09, IP69K

Dimensions Ø 77.3 × 65.5 mm



## 1. Antenna and electrical specifications

Parameters	CELLULAR / LTE Antenna		
<b>Standards</b>	2G,3G and 4G		
<b>Band (MHz)</b>	700/850/900	1700/1800/1900/2100	2600
<b>Frequency (MHz)</b>	698-960	1710-2170	2500-2700
<b>Return Loss (dB)</b>	~-10.3	~-14.8	~-15.1
<b>VSWR</b>	~2.1:1	~1.5:1	~1.5:1
<b>Efficiency (%)</b>	~52	~62	~50
<b>Peak Gain (dBi)</b>	~-0.7	~3.4	~4.0
<b>Average Gain (dB)</b>	~-2.9	~-2.1	~-3.0
<b>Impedance (Ohm)</b>	50		
<b>Polarisation</b>	Linear		
<b>Radiation Pattern</b>	Omni-Directional		
<b>Max. Input Power (W)</b>	25		
<b>Connector Type</b>	SMA-Male (Other connectors available)		
<b>Cable Length</b>	300 cm (Customizable length available)		
<b>Cable Type</b>	DACAR 302 (Other cable type available)		

### Antenna Measurement Conditions:

Mounted on 30 x 30 cm Ground Plane

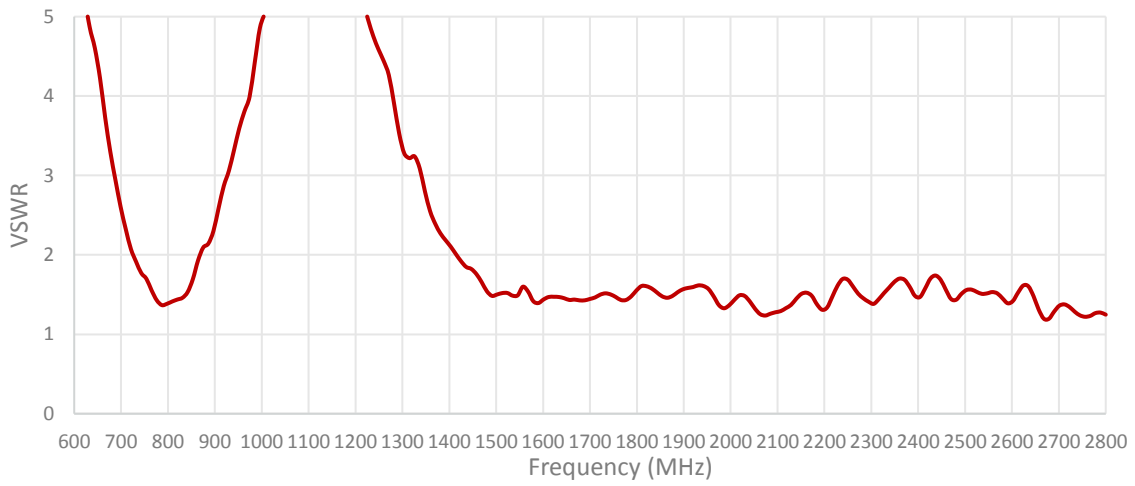
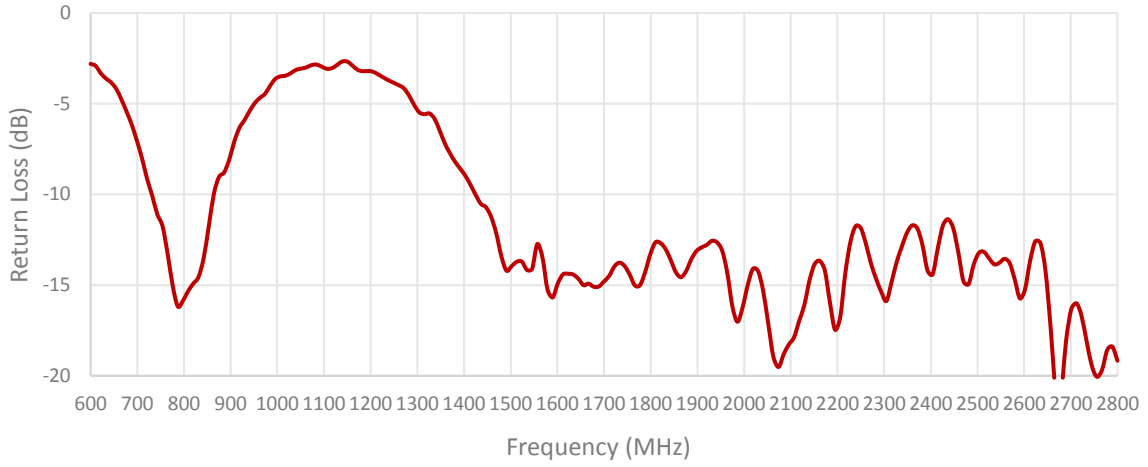
DACAR302 200 cm Cable Length

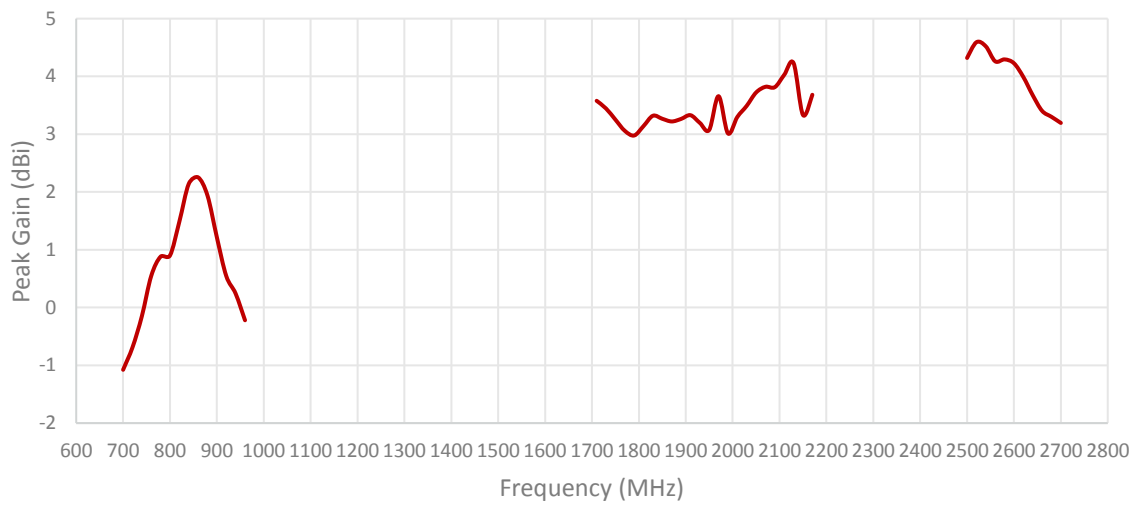
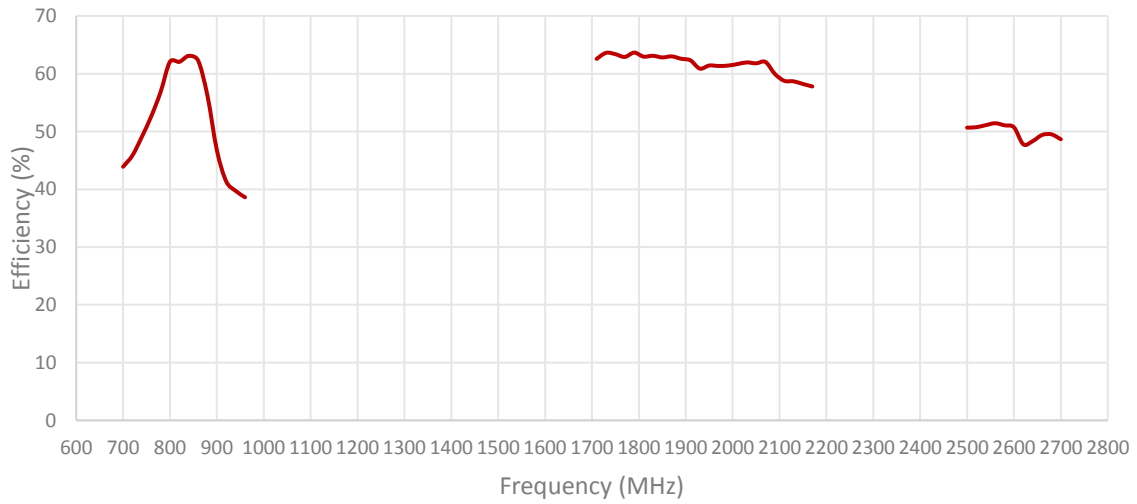
Measured in Certified CTIA 3D Anechoic Chamber

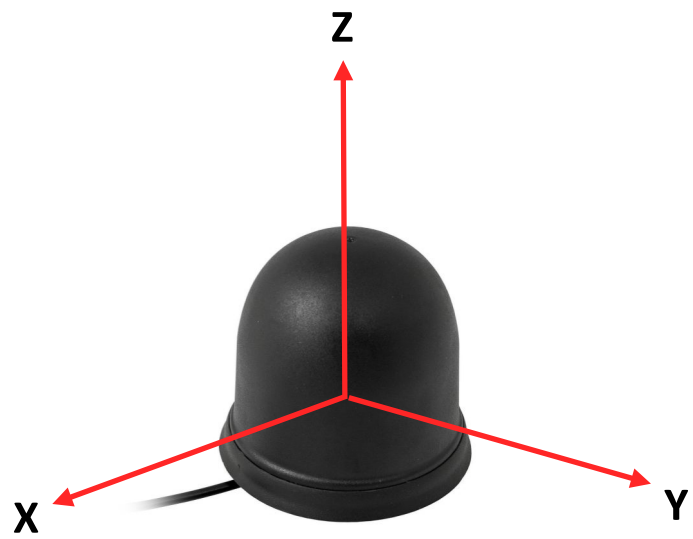
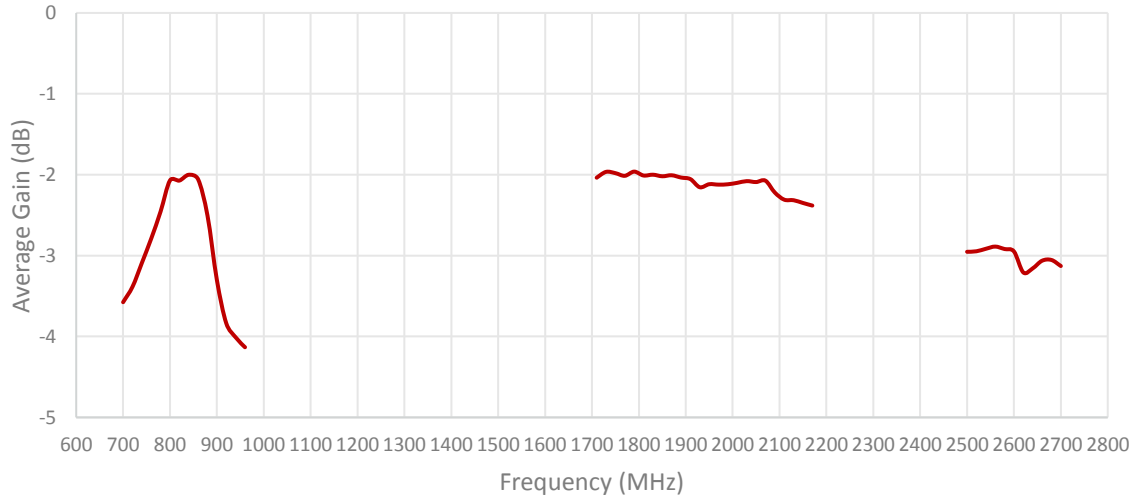
## 2. Mechanical and environmental specifications

Specifications	2J6A24B
<b>Mounting Type</b>	Screw Mount
<b>Dimensions (mm)</b>	Ø 77.3 × 65.5
<b>Radome</b>	ASA
<b>Radome color</b>	Black
<b>Antenna Base</b>	Zamak
<b>Gasket</b>	TPE
<b>Operating Temperature (C)</b>	-40 to +85
<b>Storage Temperature (C)</b>	-40 to +85
<b>Substance Compliance</b>	RoHS
<b>Certificates</b>	IP67, IK09, IP69K

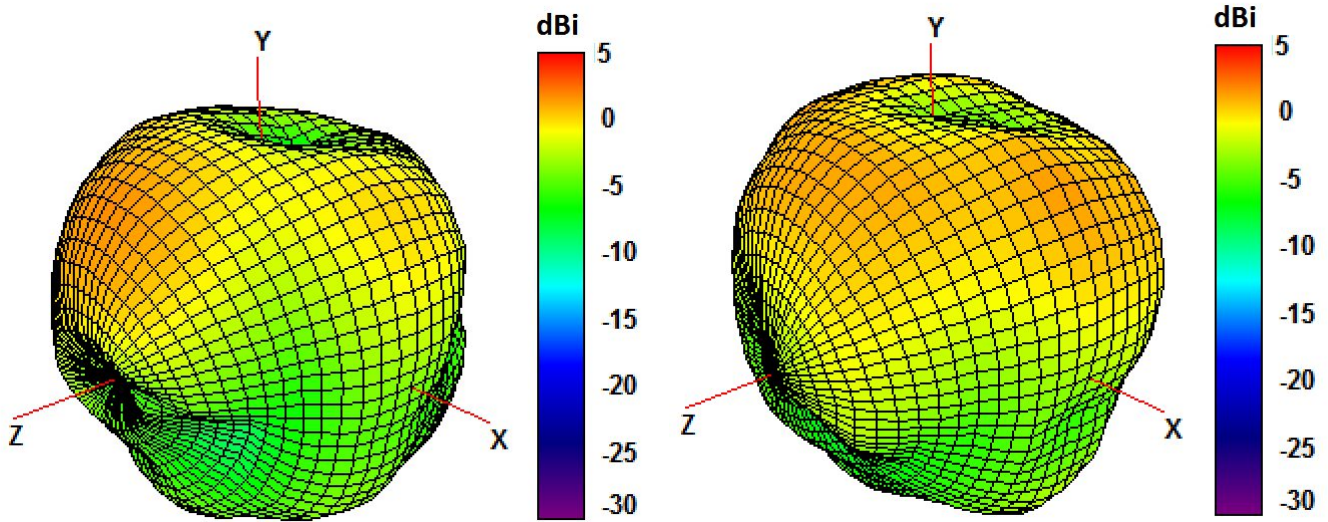
### 3. Antenna parameters



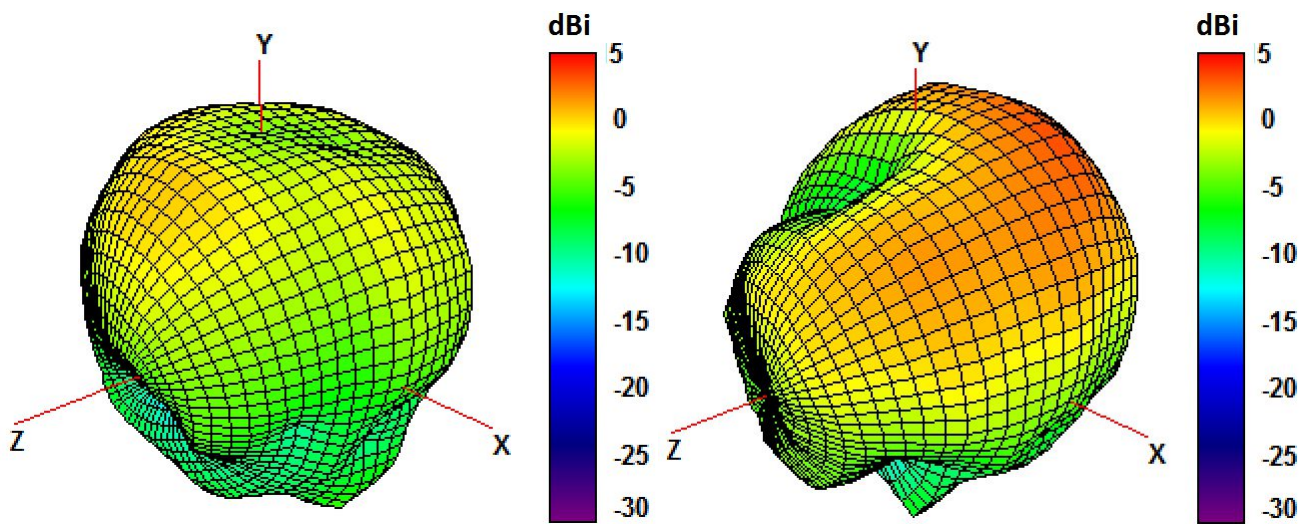




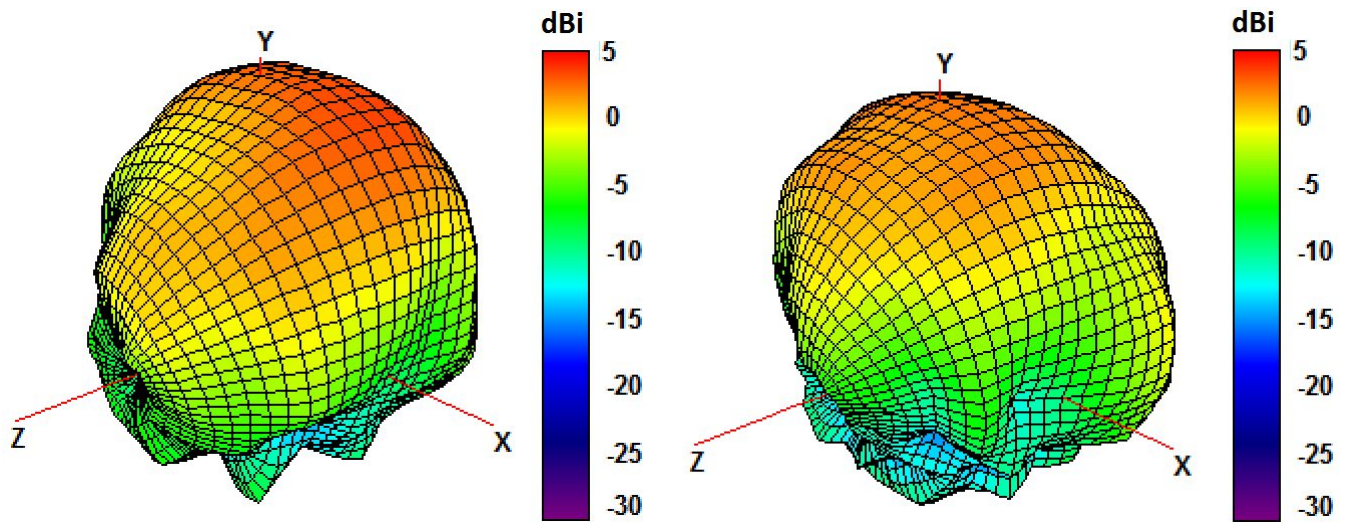
Radiation pattern reference



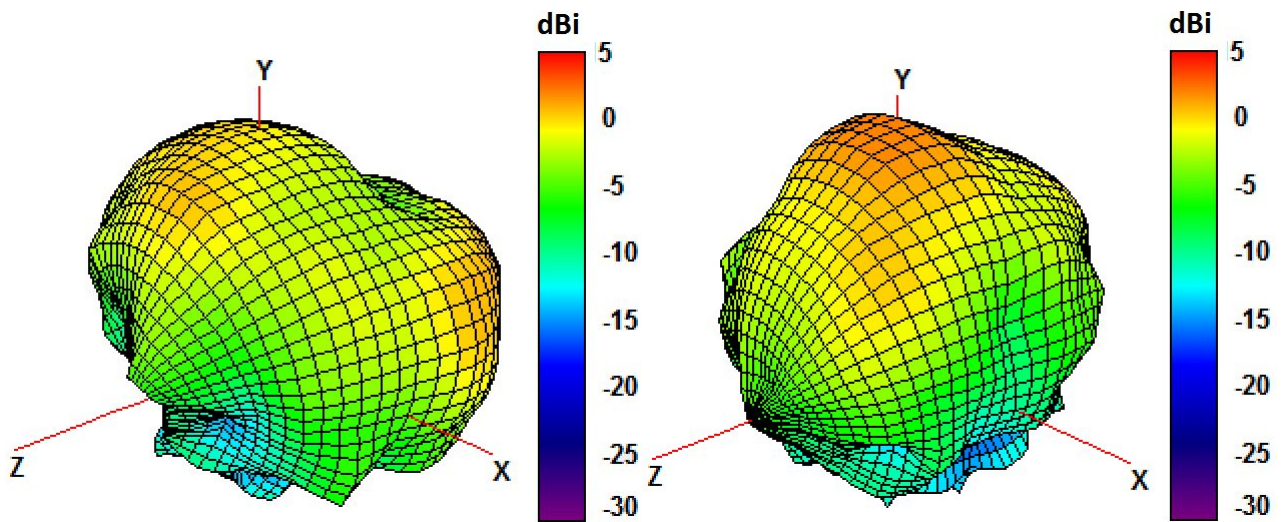
750 and 850 MHz Radiation pattern



940 and 1750 MHz Radiation pattern

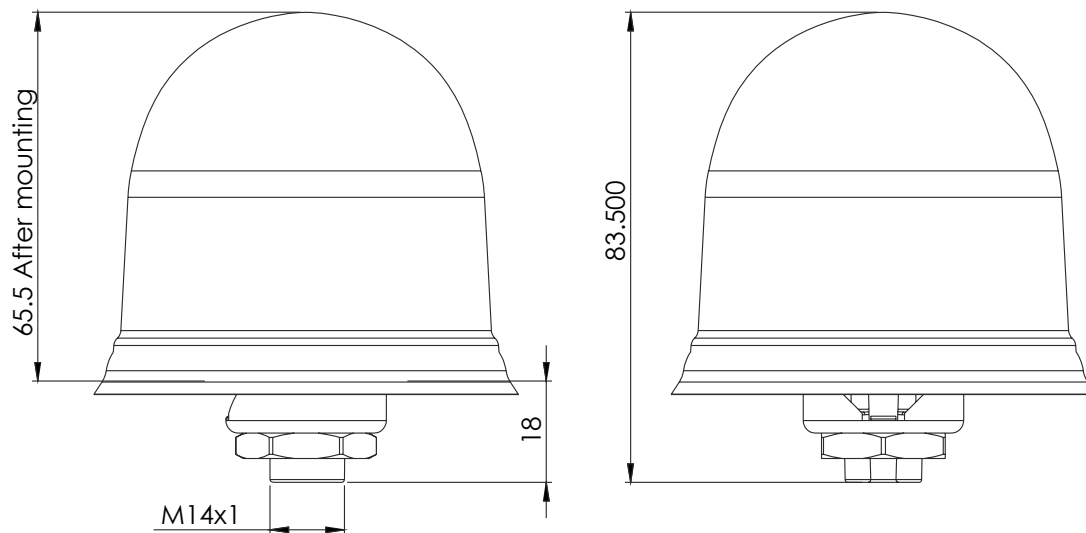
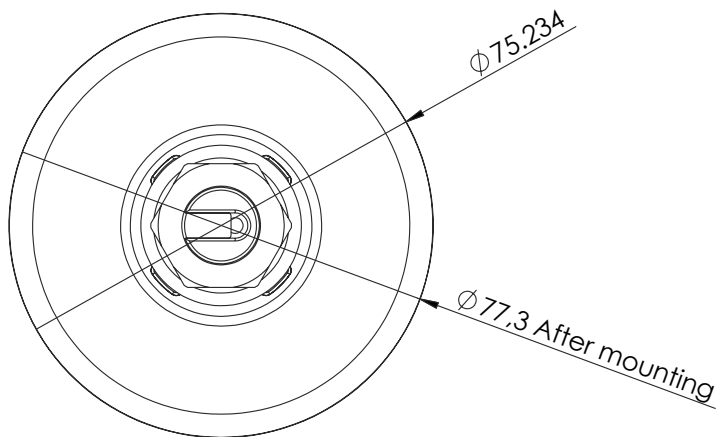


1850 and 1950 MHz Radiation pattern



2100 and 2600 MHz Radiation pattern

## 4. Antenna drawings





## 5. Antenna Images

