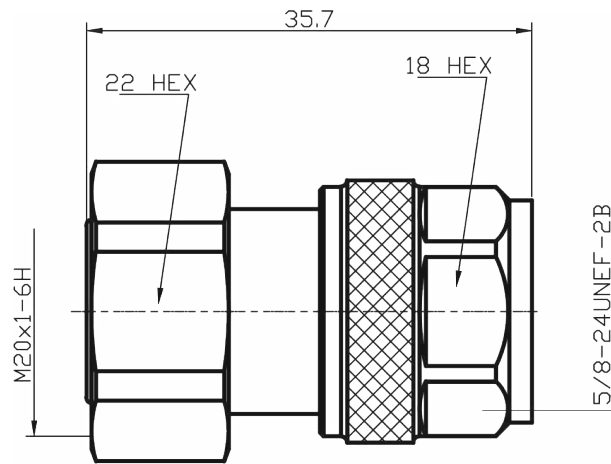


# Technical Data sheet

Adapter  
4.3/10-(m) to N-(m)

03.04.034



Site 1: N-male  
Site 2: 4.3/10"-male

ALL DIMENSIONS IN MILLIMETERS

## Electrical characteristics

Impedance	50 Ω
Frequency Range	DC - 6.0 GHz
VSWR	≤ 1.1 (0-3 GHz)
Intermodulation (PIM)	≤ -155 dBc (2x43dBm)
RF Leakage @ 1GHz	≥ 90 dB
Dielectric withstanding voltage (at sea level)	1500V
Working Voltage (at sea level)	1000V
Insulation resistance	≥ 5000 MΩ

## Mechanical characteristics

Coupling nut torque (recommended)	4.3/10: 5 Nm   N: 0.7 - 1.1 Nm
Coupling nut retention force	450 N
Durability (matings)	≥ 500
Temperature range	-55°C to +155°C

Type	Material	Plating
Center Conductor	Brass	Ag - Silver
Insulation	PTFE	-
Body	Brass	Ternary-Alloy
Gaskets	Silicone rubber	-