



2J6550B/BG 2J6550M/MG 2J6550Ba/BGa (DATASHEET)

Type	Combined antennas
Frequencies	4G/LTE (791-960/1710-2690 MHz) GPS (1575.42 MHz) GALILEO L1 (1575.42 MHz) WIFI / BLUETOOTH (2.4 GHz)
Mounting	Body Mount Magnetic Mount
Revision	00



P. Tipul

D. Noble



1. PRODUCT SELECTOR

2J6550B	GPS L1+LTE+WiFi (body-mount version)
2J6550BG	GPS L1+GLONASS/LTE/WiFi (body-mount version)
2J6550Ba	GPS L1/2xLTE/WiFi (body-mount version)
2J6550BGa	GPS L1+GLONASS/2xLTE/WiFi (body-mount version)
2J6550M	GPS L1/LTE/WiFi (magnetic mount version)
2J6550MG	GPS L1+GLONASS/LTE/WiFi (magnetic mount version)

2. SPECIFICATION

2.1. Electrical Specifications

Navigation (Cable 1)

Frequencies	GPS (1575.42 MHz) GALILEO L1 (1575.42 MHz)
Impedance	50 Ohms
Noise figure	1.2 dB
Patch gain	2-3 dBiC
Patch size	25 x 25 x 4 mm
Polarization	RHCP
LNA Gain	23 dB at 3V; 24 dB at 5V
VSWR	<1.5:1
Voltage supply	2.7 V to 5.5 V
Current	15 mA to 25 mA
Power (max.)	138 mW

WiFi (Cable2)

Frequencies	WIFI / BLUETOOTH (2.4 GHz)
Impedance	50 Ohms
Polarization	Vertical
Gain	2 dBi
VSWR	<2:1

LTE (Cable 3)

Frequencies	AMPS (850 MHz) GSM (900 MHz) 3G (UMTS 2.1 GHz) WIFI / BLUETOOTH (2.4 GHz) DCS (1800 MHz) PCS (1900 MHz) LTE (2.6 GHz) 4G/LTE (791-960/1710-2690 MHz)
Impedance	50 Ohms
Polarization	Horizontal
Gain	5 dBi Max.
VSWR	<6:1
Power handling	50 W



LTE (Cable 4) only in 2J6550Ba and 2J6550BGa not in magnetic version

Frequencies	AMPS (850 MHz) GSM (900 MHz) 3G (UMTS 2.1 GHz) WIFI / BLUETOOTH (2.4 GHz) DCS (1800 MHz) PCS (1900 MHz) LTE (2.6 GHz) 4G/LTE (791-960/1710-2690 MHz)
Impedance	50 Ohms
Polarization	Horizontal
Gain	5 dBi Max.
VSWR	<6:1
Power handling	50 W

2.2. General Specifications

Certificates	IP67, IK09, IP69K
Operating temperature	-40°C to +85°C

2.3. Connection Specifications

Cable 1 (Navigation):

Connector type: SMA male
Cable: RG174U
Cable length: 50 cm

Cable 2 (Wifi):

Connector type: SMA male
Cable: RG174U
Cable length: 50 cm

Cable 3 (LTE):

Connector type: SMA male
Cable: RG174U
Cable length: 50 cm

Cable 4 (LTE):

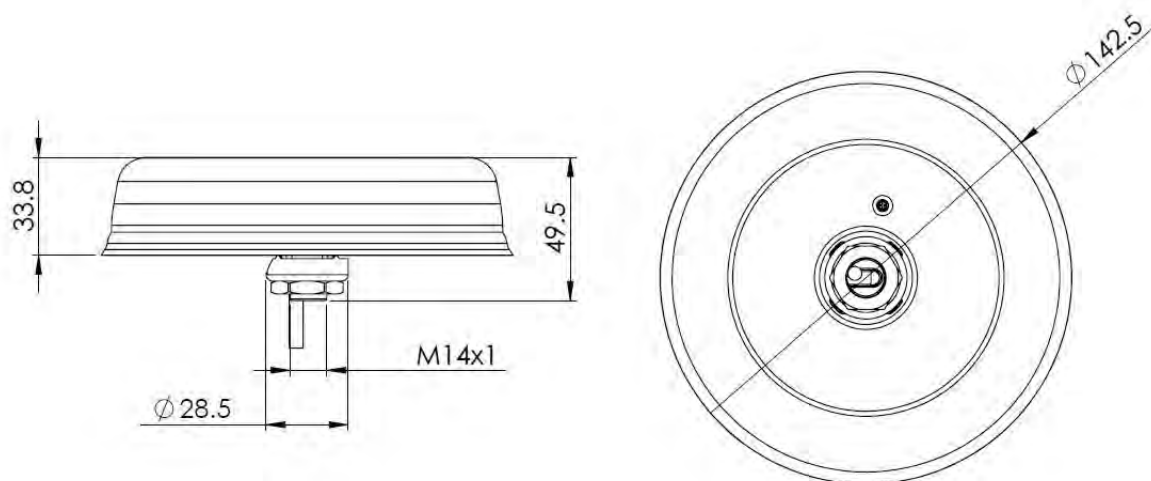
Connector type: SMA male
Cable: RG174U
Cable length: 50 cm

For different cable length and connector type ask our sales team.

2.4. Mechanical Specifications and Dimensions

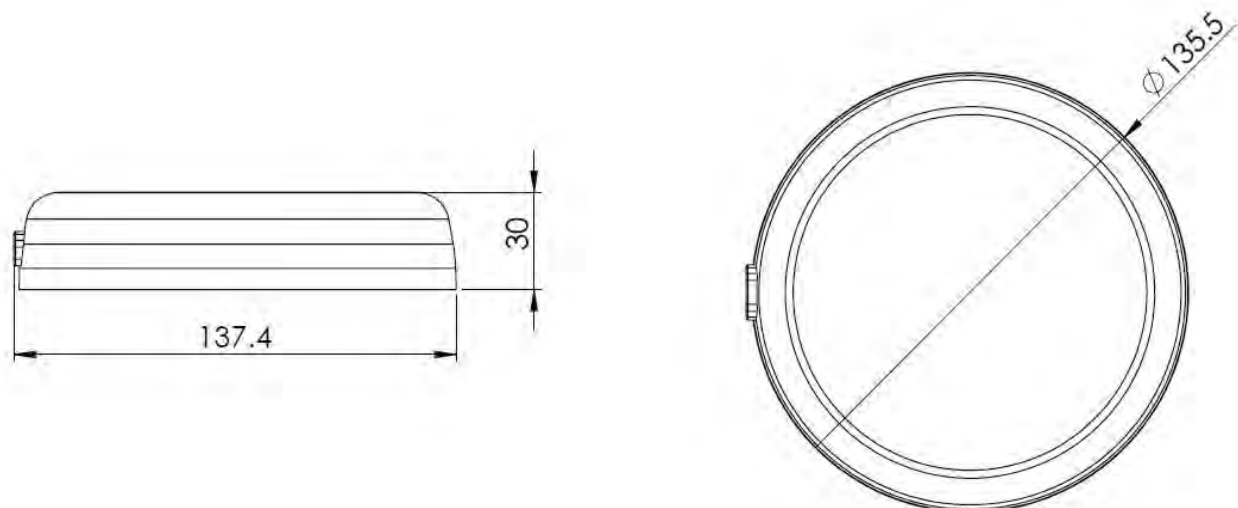
2.4.1. Bodymount version

Material:	Lid: ABS / Base: Zamak / Gasket: TPE
Max. dimensions:	146mm x 32mm (when placed on ground-plane)
Colour:	Black/ Green/ White (for different colours please ask our sales team)



2.4.2. Magnetic version

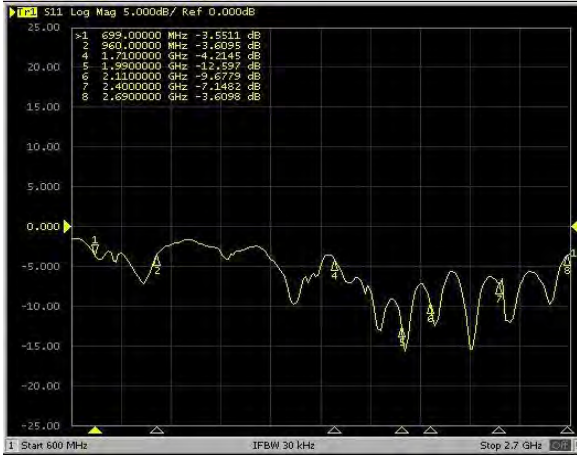
Material:	Lid: ABS / Base: Zamak
Max. dimensions:	135.5mm x 30mm
Colour:	Black/ Green/ White (for different colours please ask our sales team)



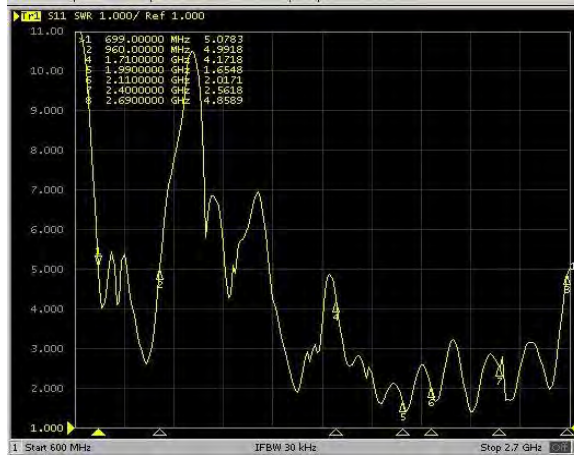
3. MEASUREMENT

3.1. LTE

S11 Log Mag

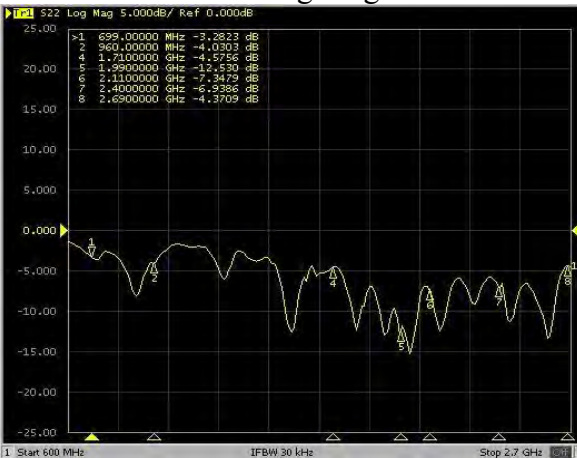


S11 VSWR

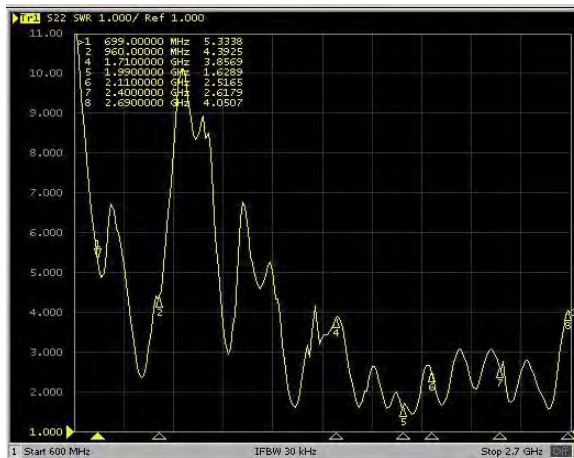


3.2. LTE 2 only for model 2J6550Ba and 2J6550BGa

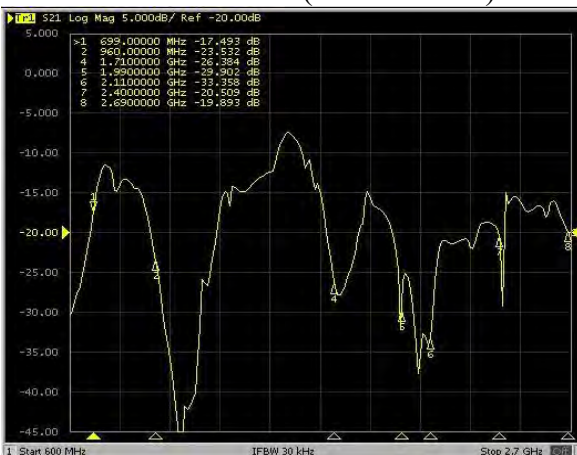
S22 Log Mag



S22 VSWR

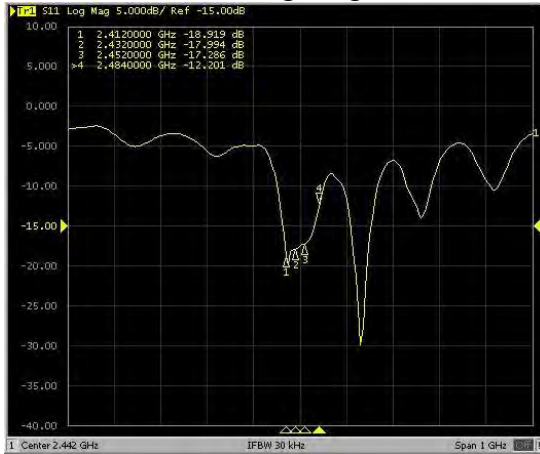


S21 LOG MAG (Transmission)

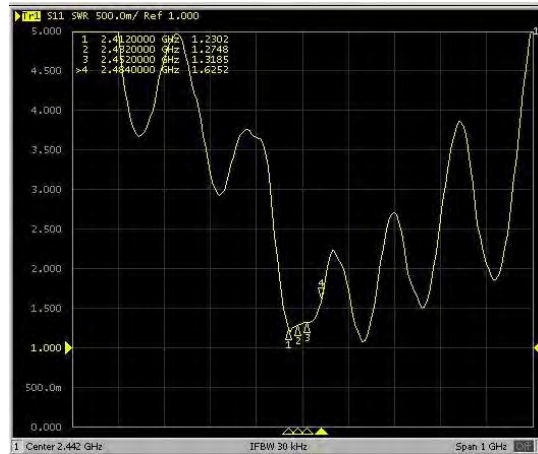


3.3. WiFi

S11 Log Mag

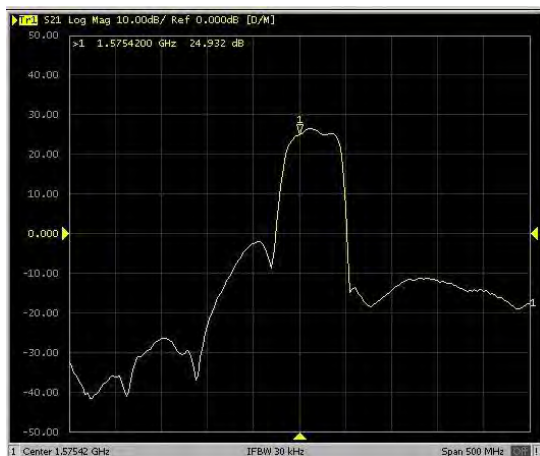


S11 VSWR

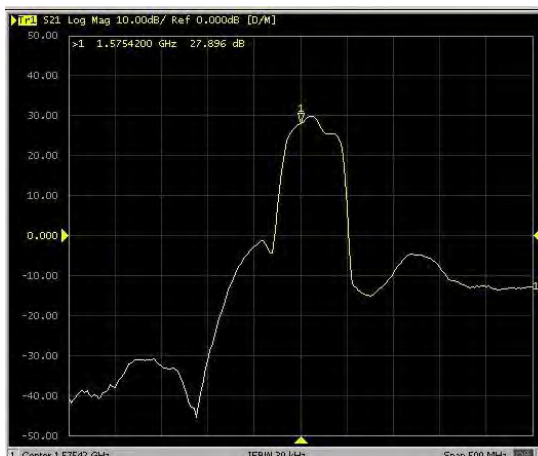


3.4. GNSS

S21 LOG MAG at 3V



S21 LOG MAG at 5V





4. IMAGES

